



2024  
Product  
Brochure

# REWARD AND AUDIT



Factory Audit

Walmart

ACCO

CVS

Office DEPOT®



# MAJOR CUSTOMER





**PRESS**



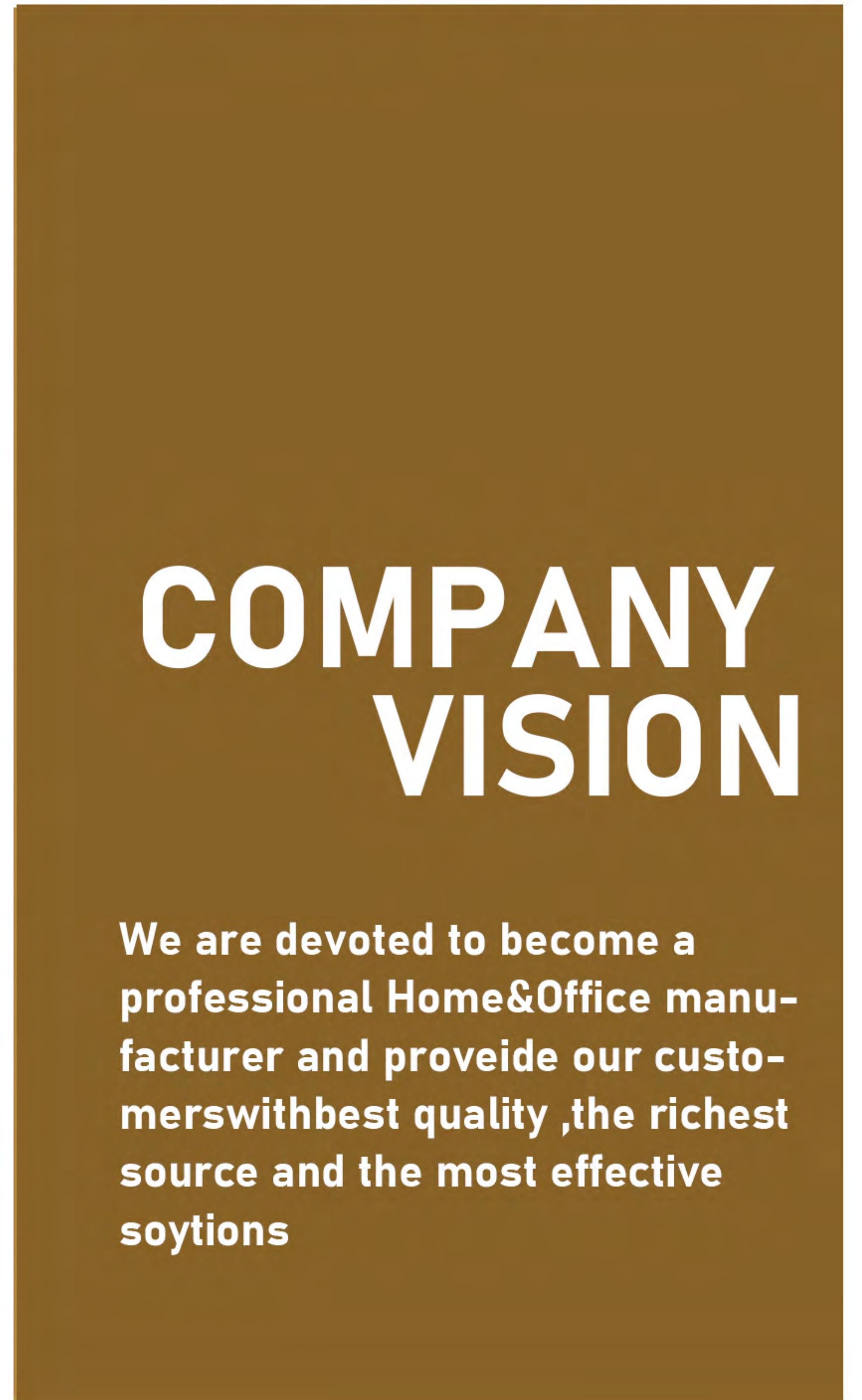
**INJECTION  
MOLDING MACHINE**



**WORKSHOP  
WORK AS**



**OFFICE  
ENVIRONMENT**



# COMPANY VISION

We are devoted to become a professional Home&Office manufacturer and provide our customers with best quality, the richest source and the most effective solutions



**THE STEAM  
CONTROL  
PUNCH PRESS**

# CONTENTS



Monitor/Desktop Riser

Height Adjustable standing Desk

Multi-functional desktop stand  
and mobile presentation table

*Interested parties are encouraged to email us at: [bizdev@freeworldbrand.com](mailto:bizdev@freeworldbrand.com) with their requirements and for additional information to include pricing models and delivery terms.*

# Monitor Mount Series

## Monitor/Desktop Riser



**HH-MR05**

### Reinforcement Plate

Material:	Steel
Plate Size:	180*145*14mm,120*70mm
Thickness:	2.5mm



**HH-MR04-01**

### Monitor Riser

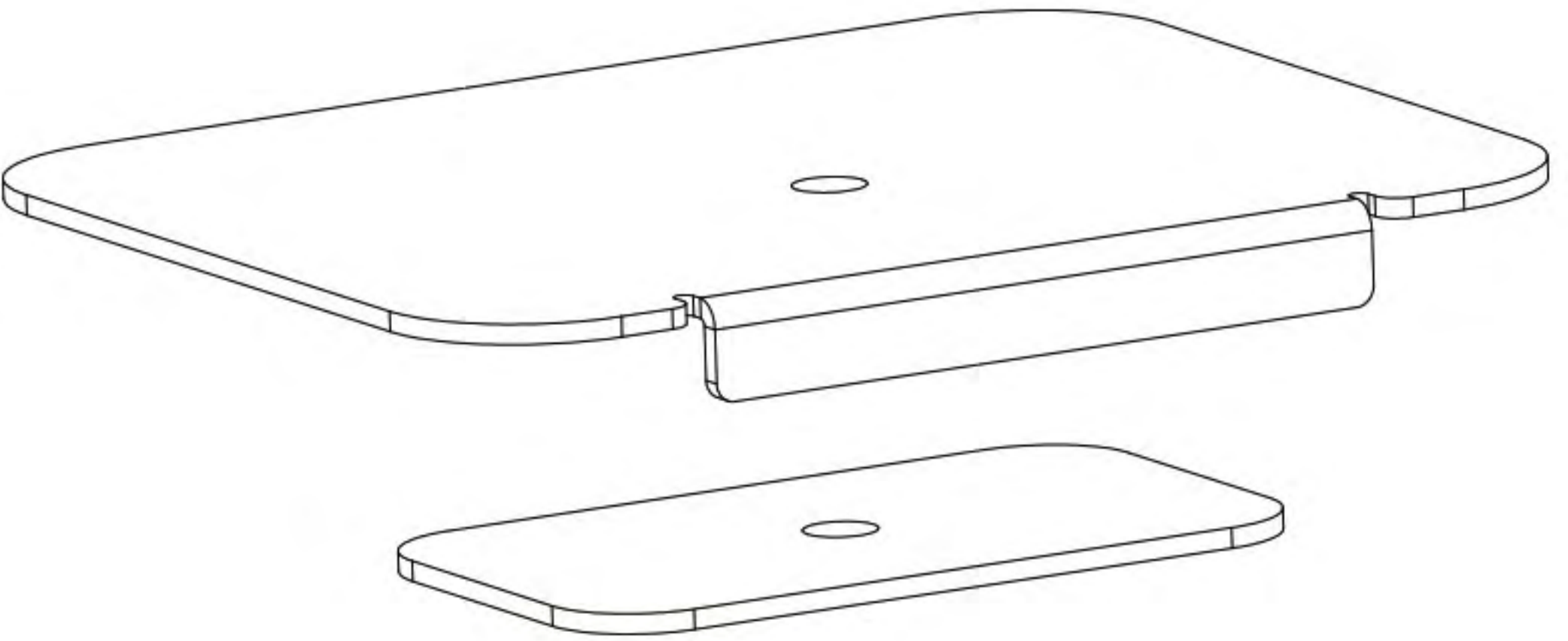
Loading weight:	25kgs
Size:	14.5"*9.1"
3 height adjustable:	100/120/140mm

Monitor/Printer stand with hole design

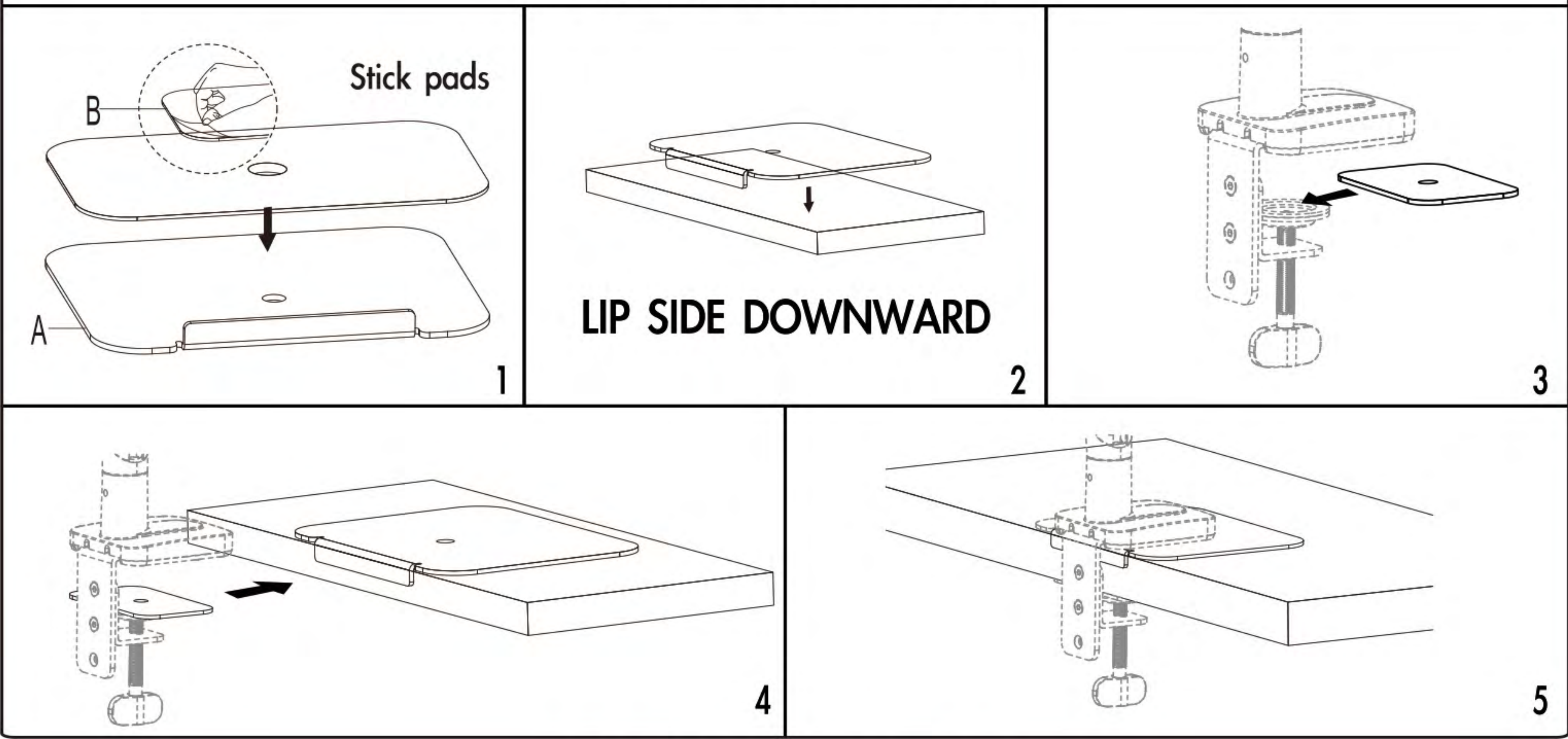
Sturdy monitor riser for ergonomic view height

Effective desk organizer with large storage space

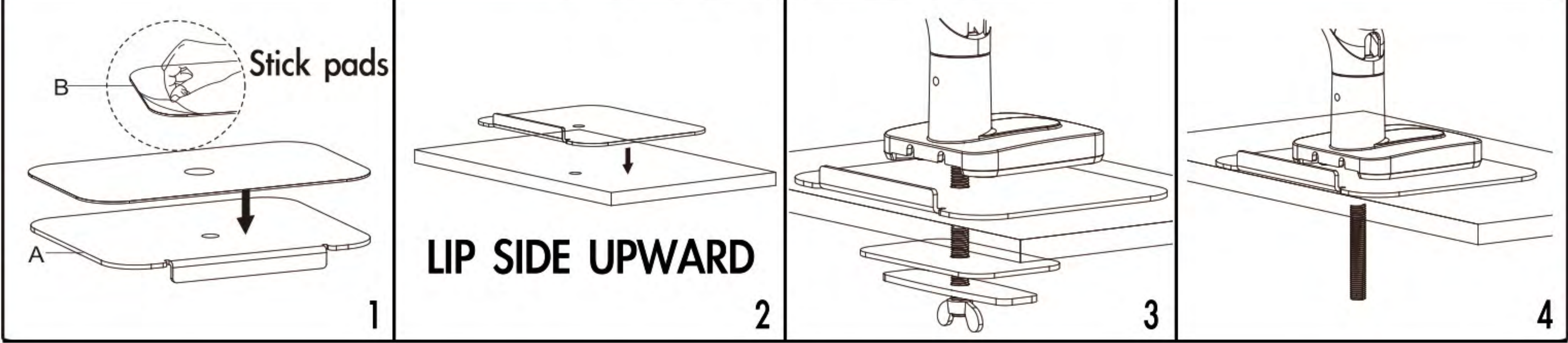
keep your workspace clutter-free



**C-CLAMP INSTALLATION**



**GROMMET INSTALLATION**



# Monitor Mount Series

## Height Adjustable standing Desk



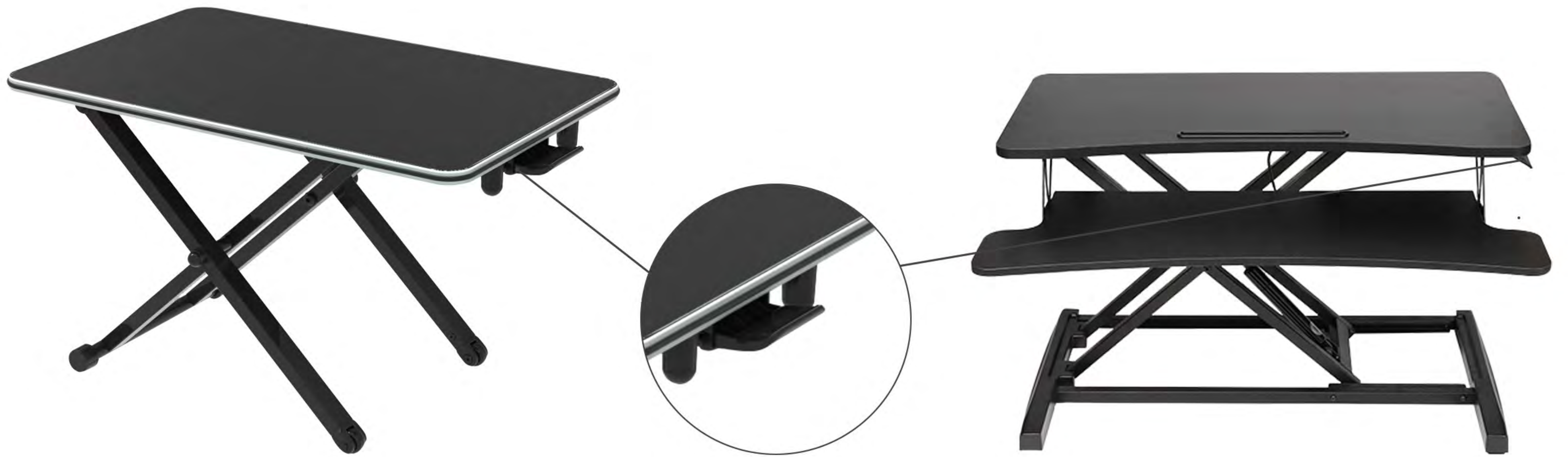
**SD07-03**

Material:	MDF board+ plastic
Worksurface Size:	650x400x15mm
Lifting Height Range:	min61mm-max400mm
Weight capacity:	5kg(11lbs)
set free to sit or stand while working	
Adjust heights meet comfortable eye level	



**HH-D00401B**

Material:	particle board + Q235 steel
Lifting Height Range:	min110-max500mm (stepless adjustment)
Desktop load-bearing:	0-15kg
Keyboard tray loading-bearing:	0-2kg
Desktop size:	800*400mm T=16mm
Keyboard tray size:	800*300mm T=12mm
color:	black / white / brown



## One-handed control is just a click away

Ergonomic, adjustable lightweight natural comfort bionic, control handle, too busy lifting and lowering, easily adjustable



## Height Adjustment





# TV Floor Stand Series

Multi-functional desktop stand and mobile presentation table



**HH-4052B**

### Mobile presentation table with wheels

Material: particle board + Q235 steel + plastic

Lifting Height : 811-1075mm  
(stepless adjustment)

desktop load-bearing: 0-10kg

keyboard tray load-bearing: 0-2kg

desktop size: 690\*515\*(811-1075)mm

keyboard tray size: 630\*350mm

ChassisSize: 660x510mm

color: black / white



**HH-4001F**

### Multifunctional Desktop stand for Speaker/Laptop/Projector

Tray Size: 320\*235\*21mm

Thickness: Tray:1.5mm ; Tube:0.7mm

Height adjustable: Min 12.2"-Max18.5"(30-47mm)

360° rotatable

15° Tilt Range

With Safety Anti Falling Bolt

Sale unit: 1set=2pcs

