



2024  
**Product  
Brochure**  
—  
**LCD/LED Articulating  
Monitor Arm**

# REWARD AND AUDIT



Factory Audit

Walmart

ACCO

CVS

Office DEPOT®



# MAJOR CUSTOMER





**PRESS**



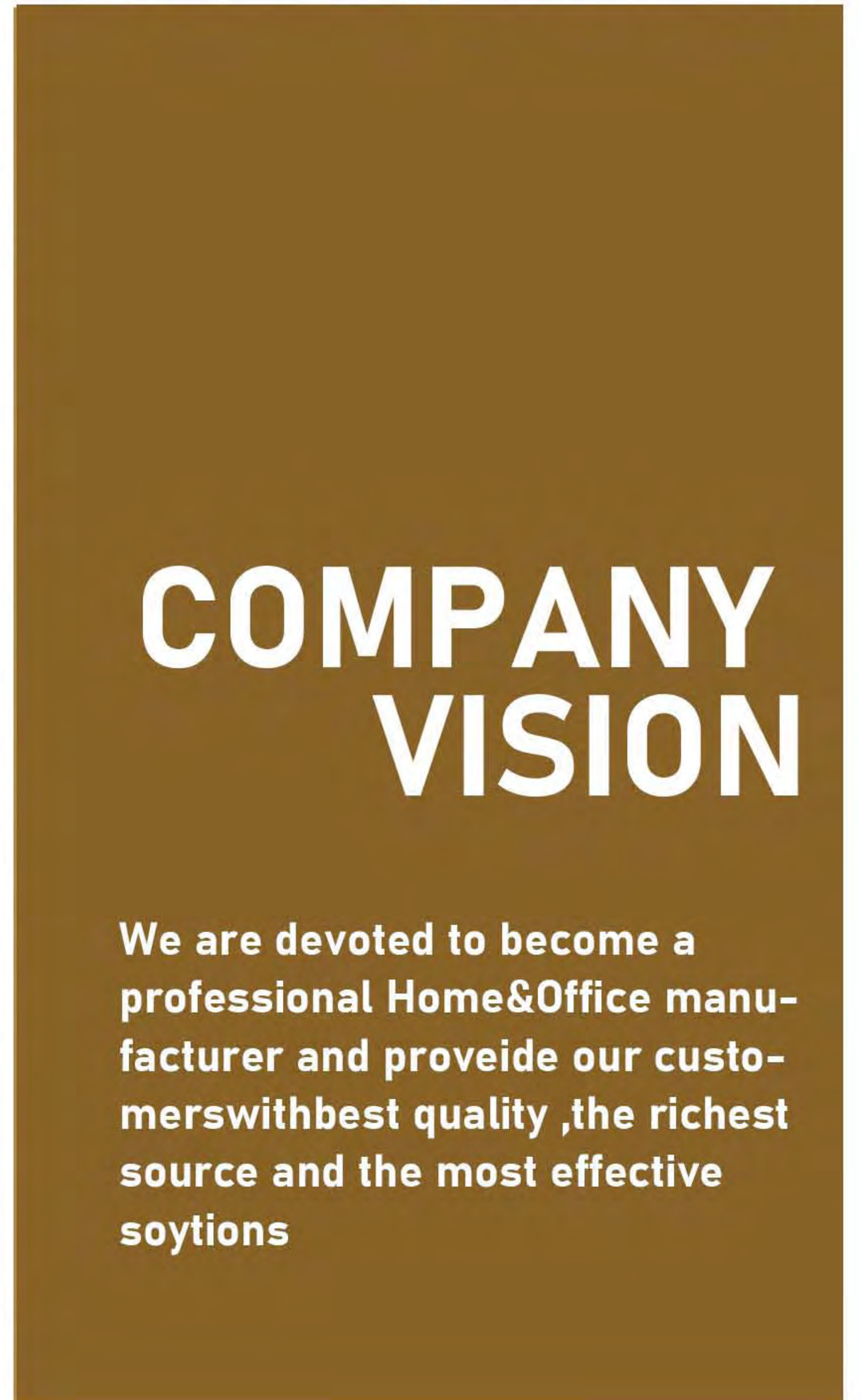
**INJECTION  
MOLDING MACHINE**



**WORKSHOP  
WORK AS**



**OFFICE  
ENVIRONMENT**



# COMPANY VISION

We are devoted to become a professional Home&Office manufacturer and provide our customers with best quality, the richest source and the most effective solutions



**THE STEAM  
CONTROL  
PUNCH PRESS**

# CONTENTS



LCD/LED Articulating  
Monitor Arm

*Interested parties are encouraged to email us at: [bizdev@freeworldbrand.com](mailto:bizdev@freeworldbrand.com) with their requirements and for additional information to include pricing models and delivery terms.*

# Monitor Mount Series

## LCD/LED Articulating Monitor Arm

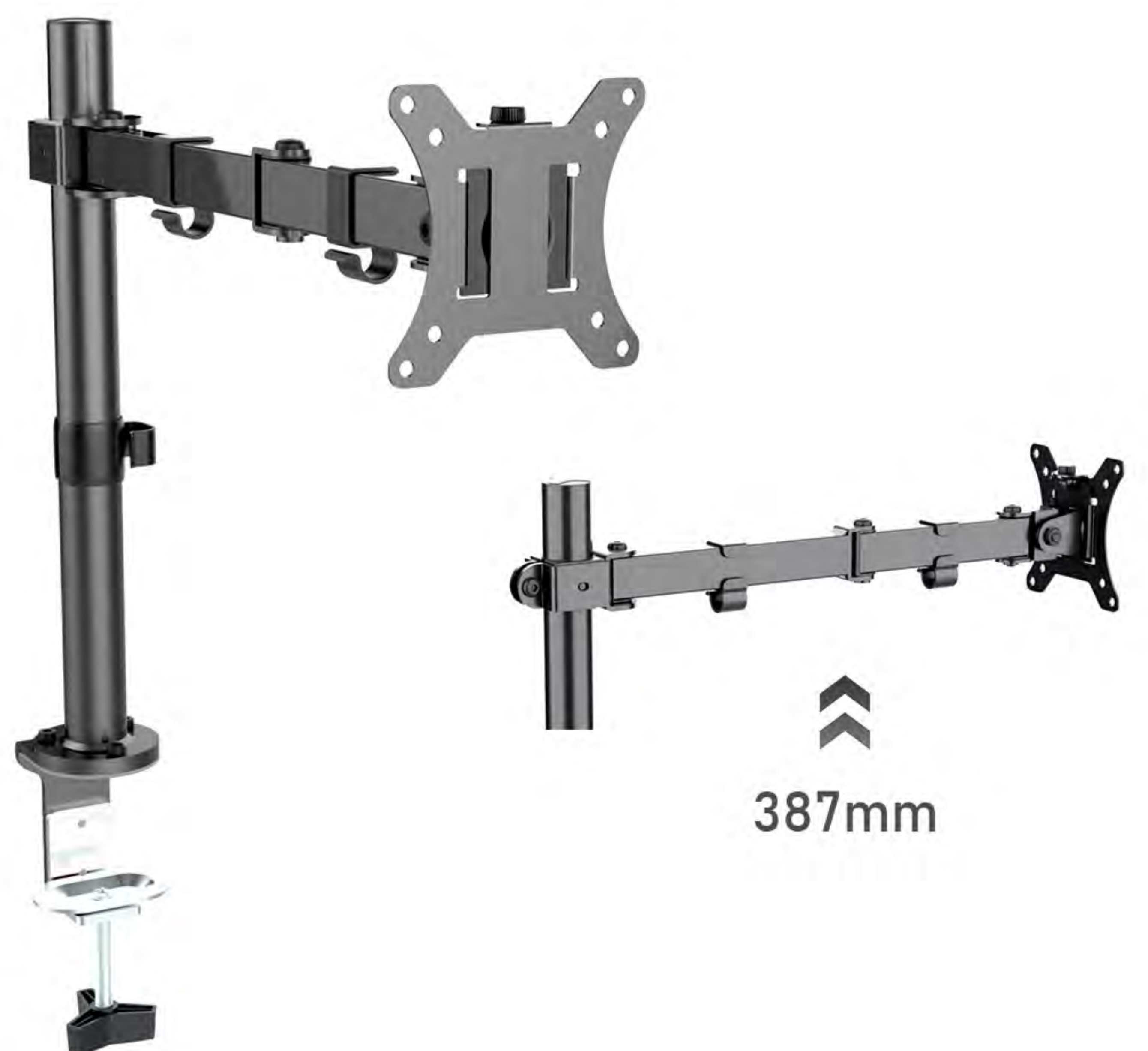


Material:	Steel
Suitable Size:	17"-32"
VESA:	100*100mm
Loadingweight:	8kgs
Arm Length:	54mm,184mm,387mm
Tilt Range:	90 ° ~ -90°
Swivel Range:	90 ° ~ -90°
Screen Rotation:	180 ° ~ -180°

**HH-G01-C001**



**HH-G01-C011**

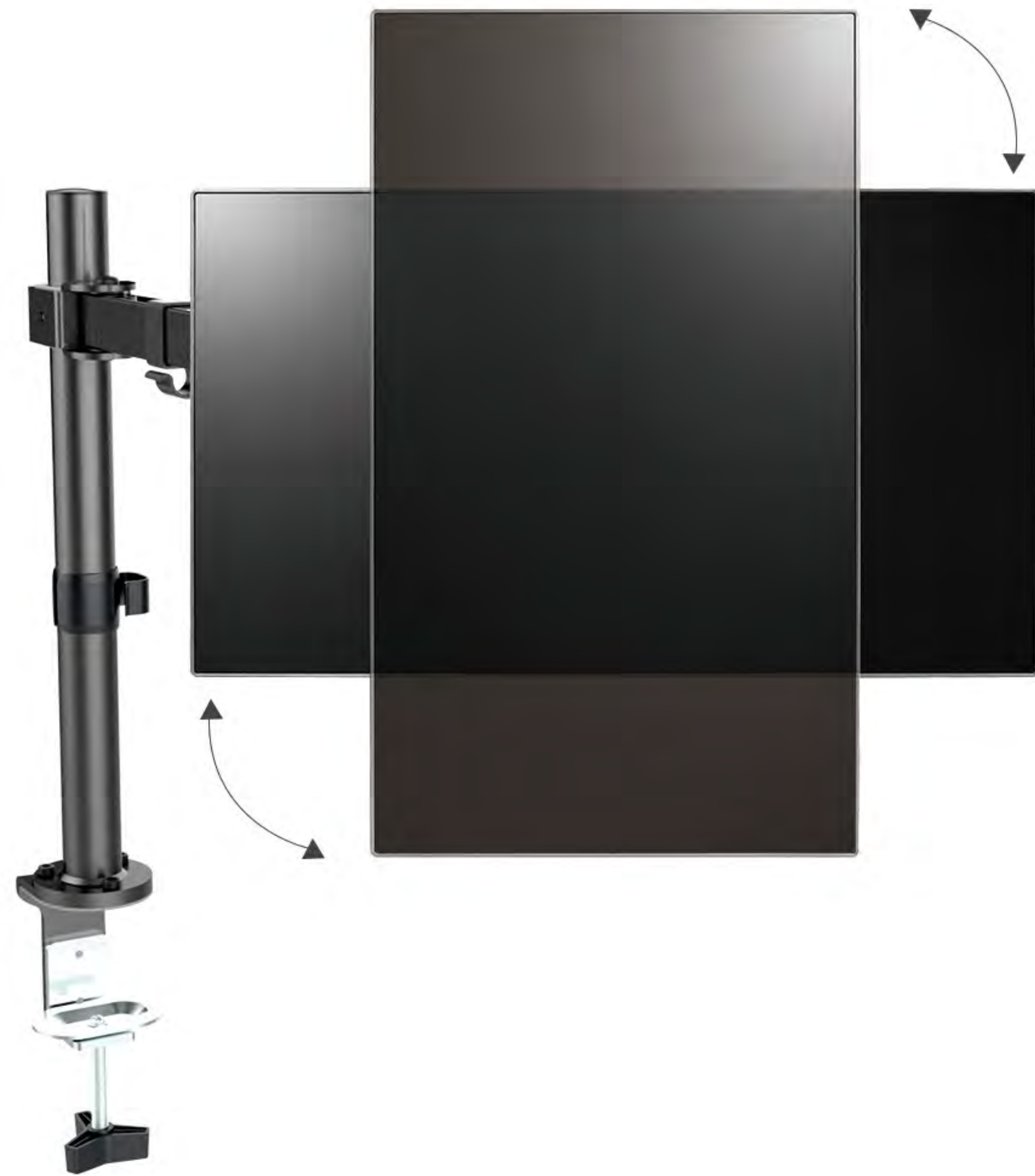


**HH-G01-C012**

Liftable design  
Adjust the height  
of the field of view  
that suits you

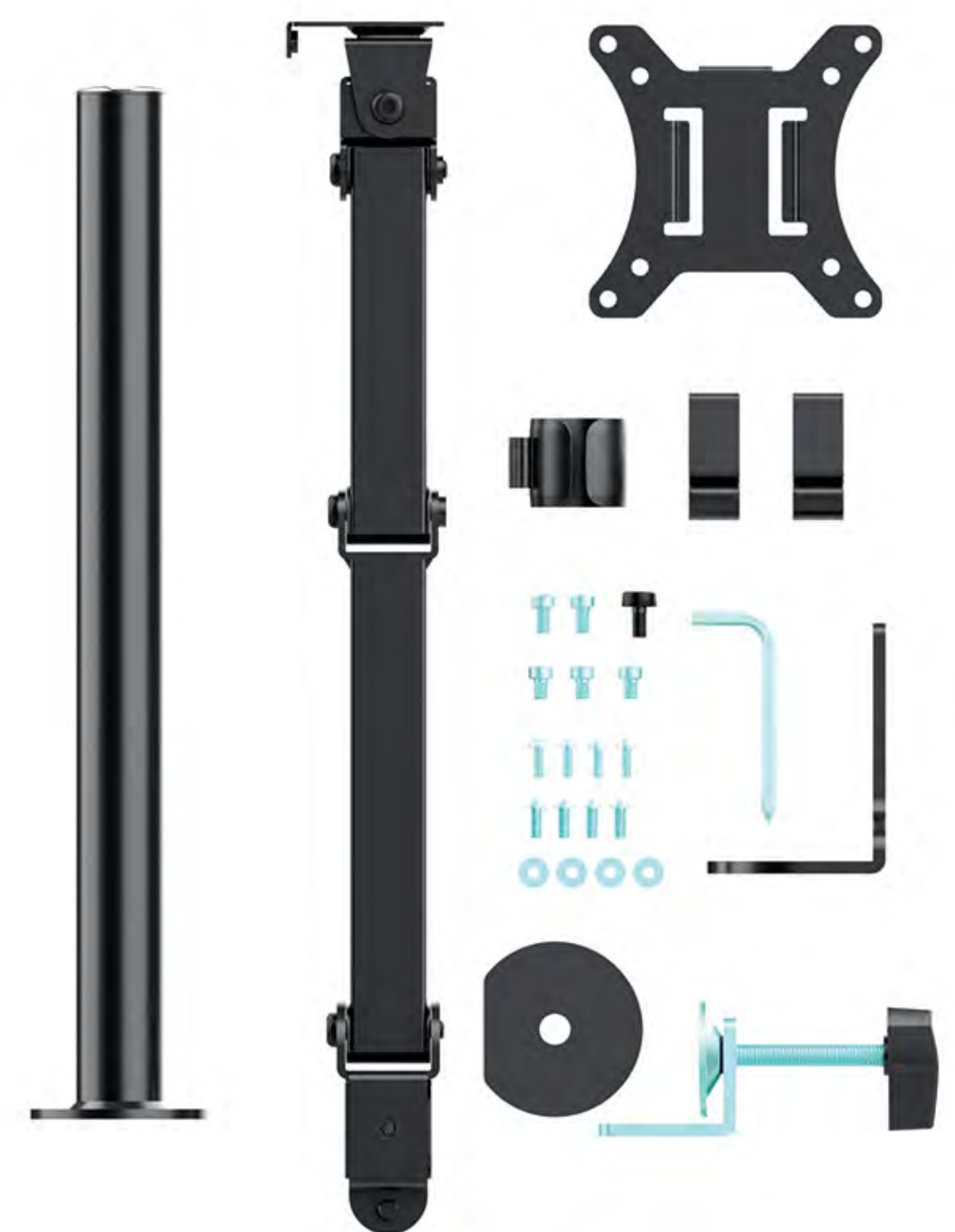
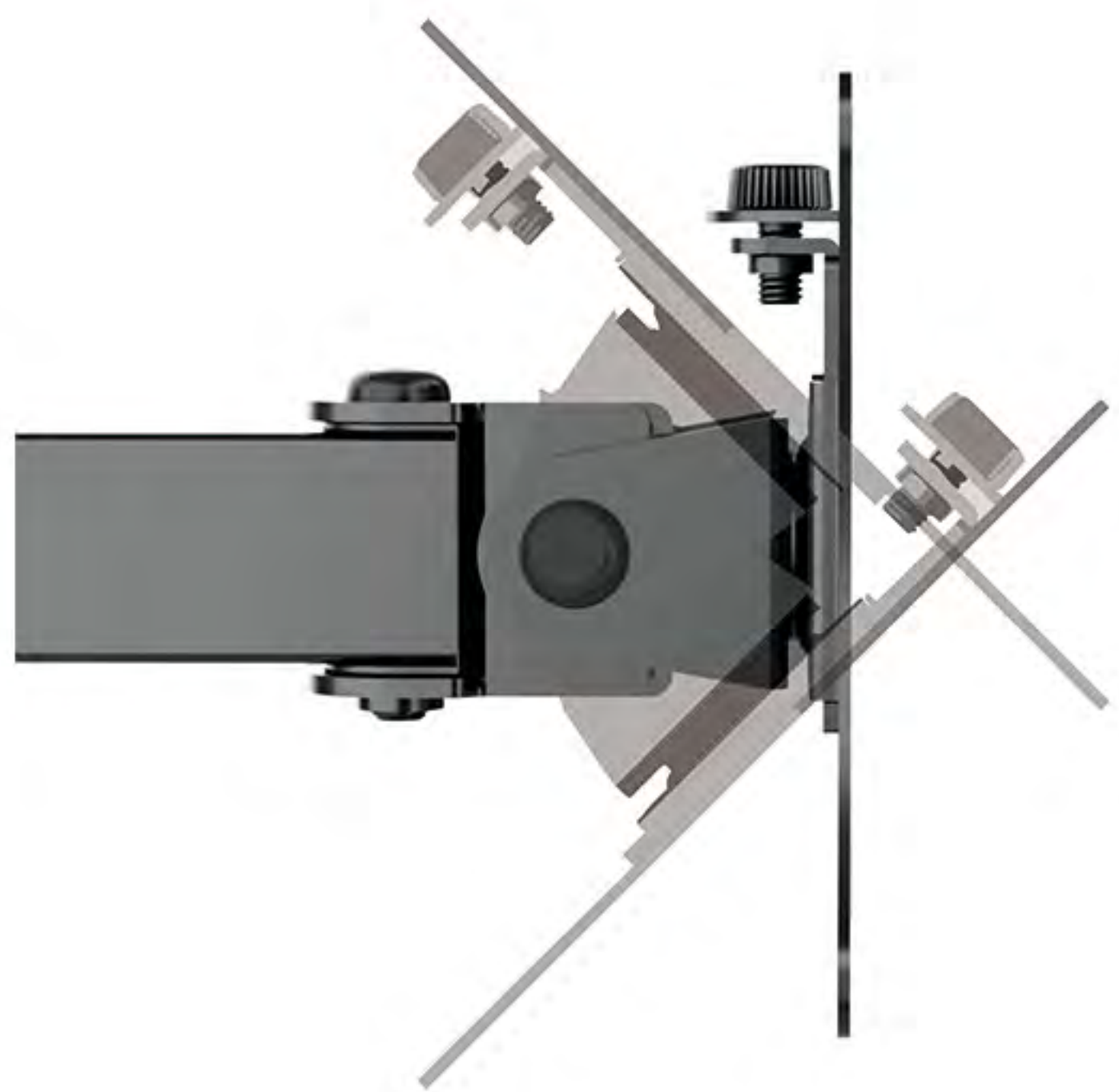


Adjustment up and down



±180°

horizontal and vertical rotation



# Monitor Mount Series

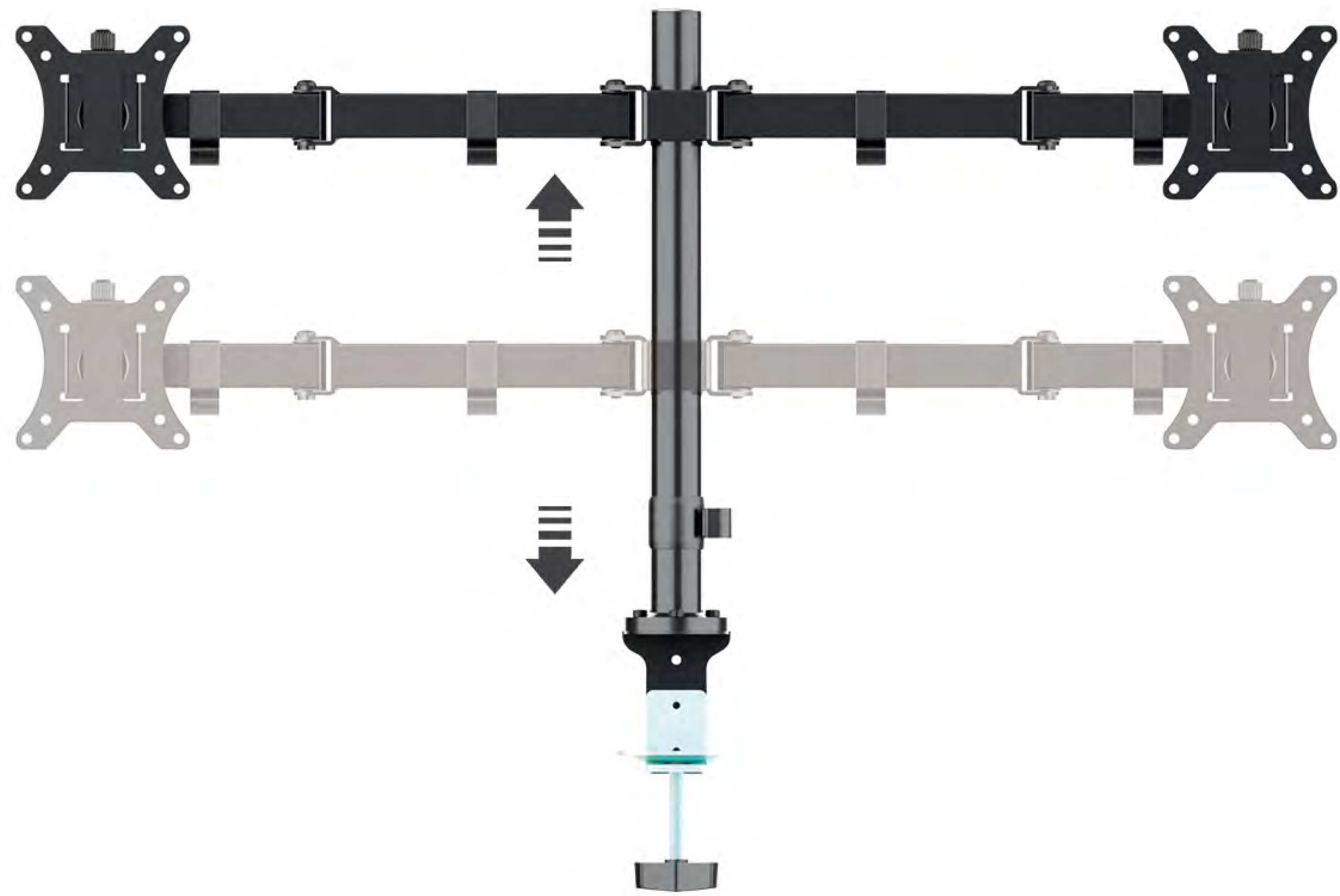
## LCD/LED Articulating Monitor Arm



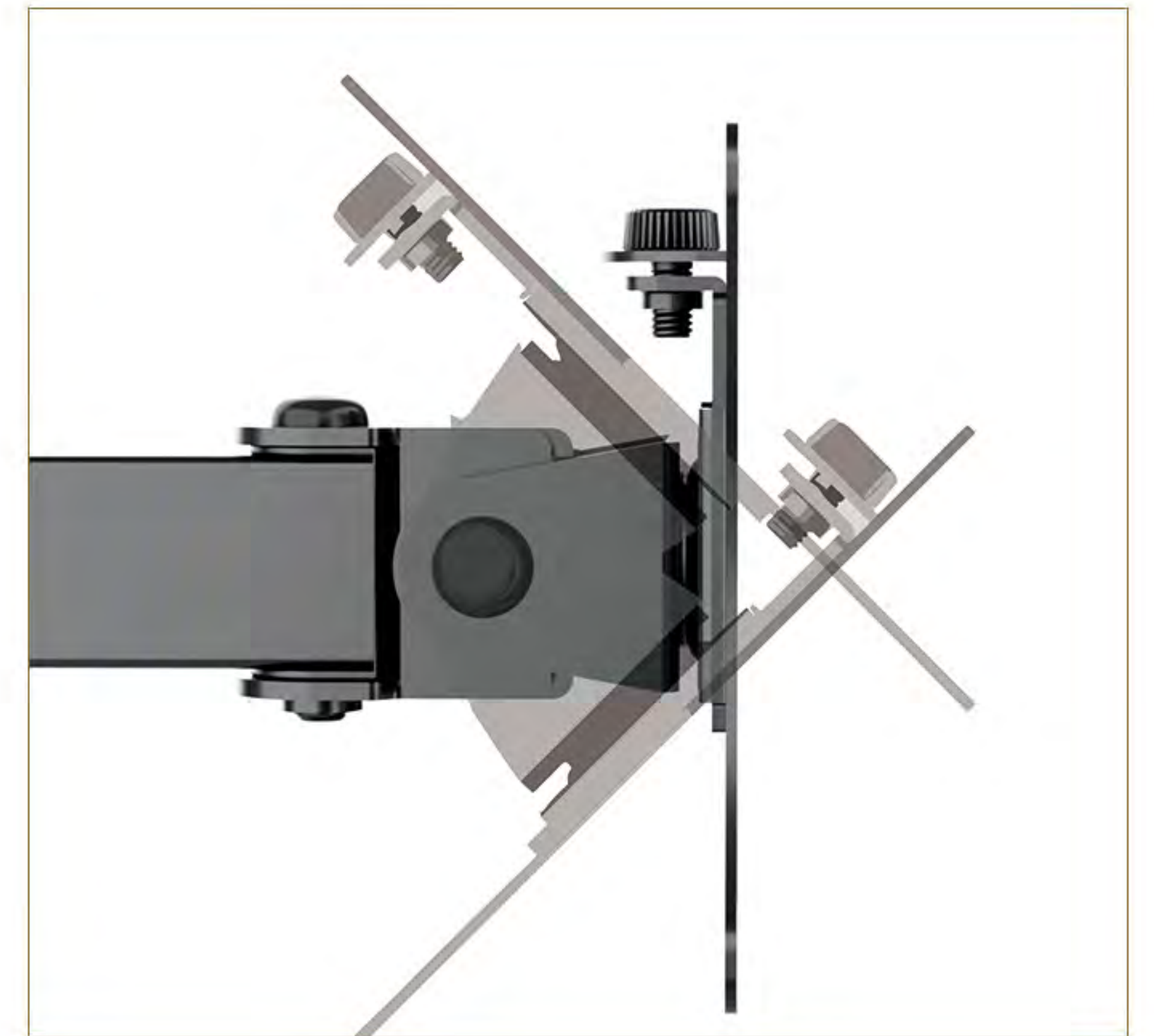
**HH-G01-C024**

Material:	Steel
Suitable Size:	17"-32"
VESA:	100*100mm
Loadingweight:	8kgs
Double Arm	
Tilt Range:	90 ° ~ -90°
Swivel Range:	90 ° ~ -90°
Screen Rotation:	180 ° ~ -180°





Height Adjustment



Dual screen display  
Horizontal and vertical rotation



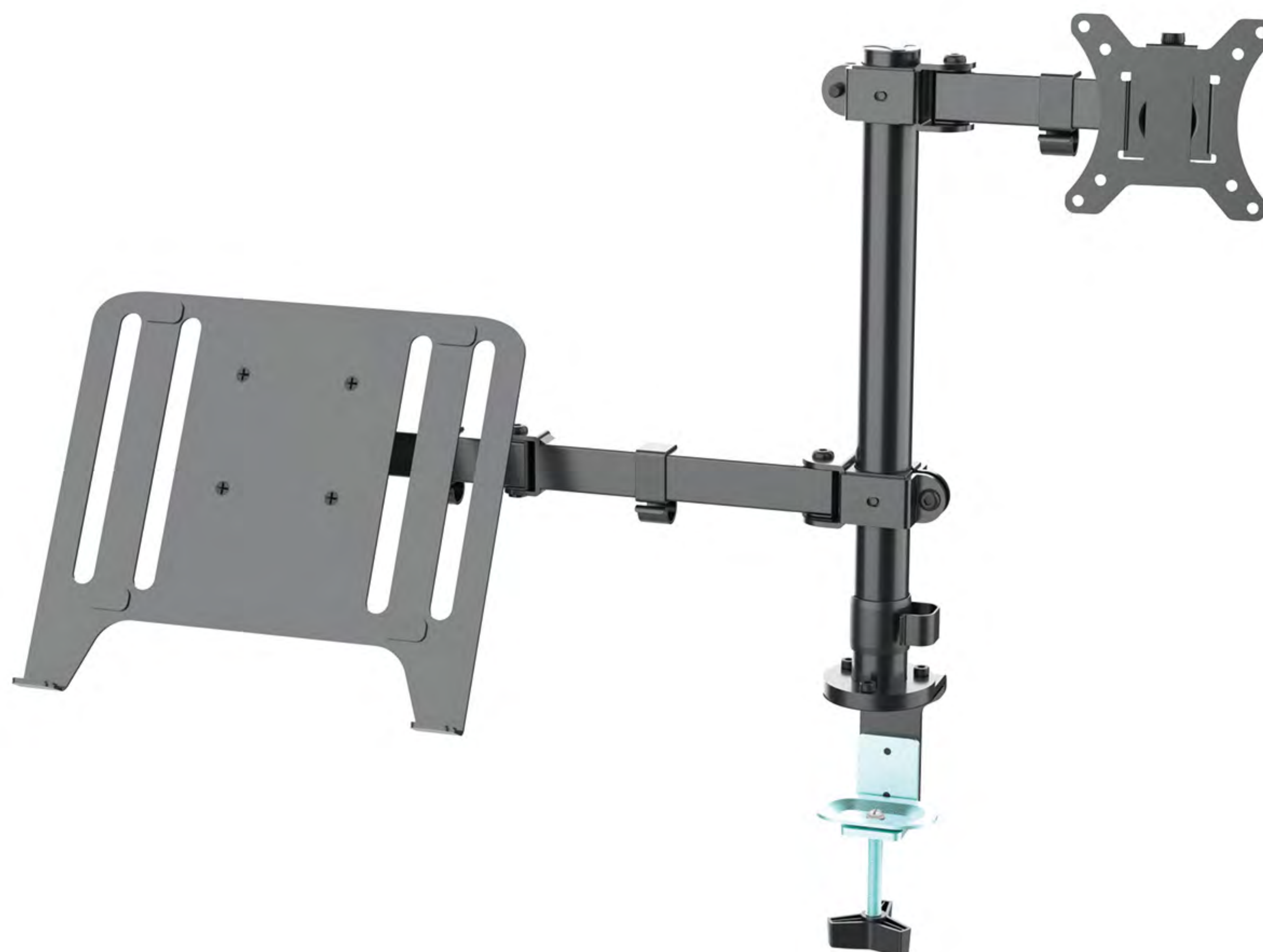


# Monitor Mount Series

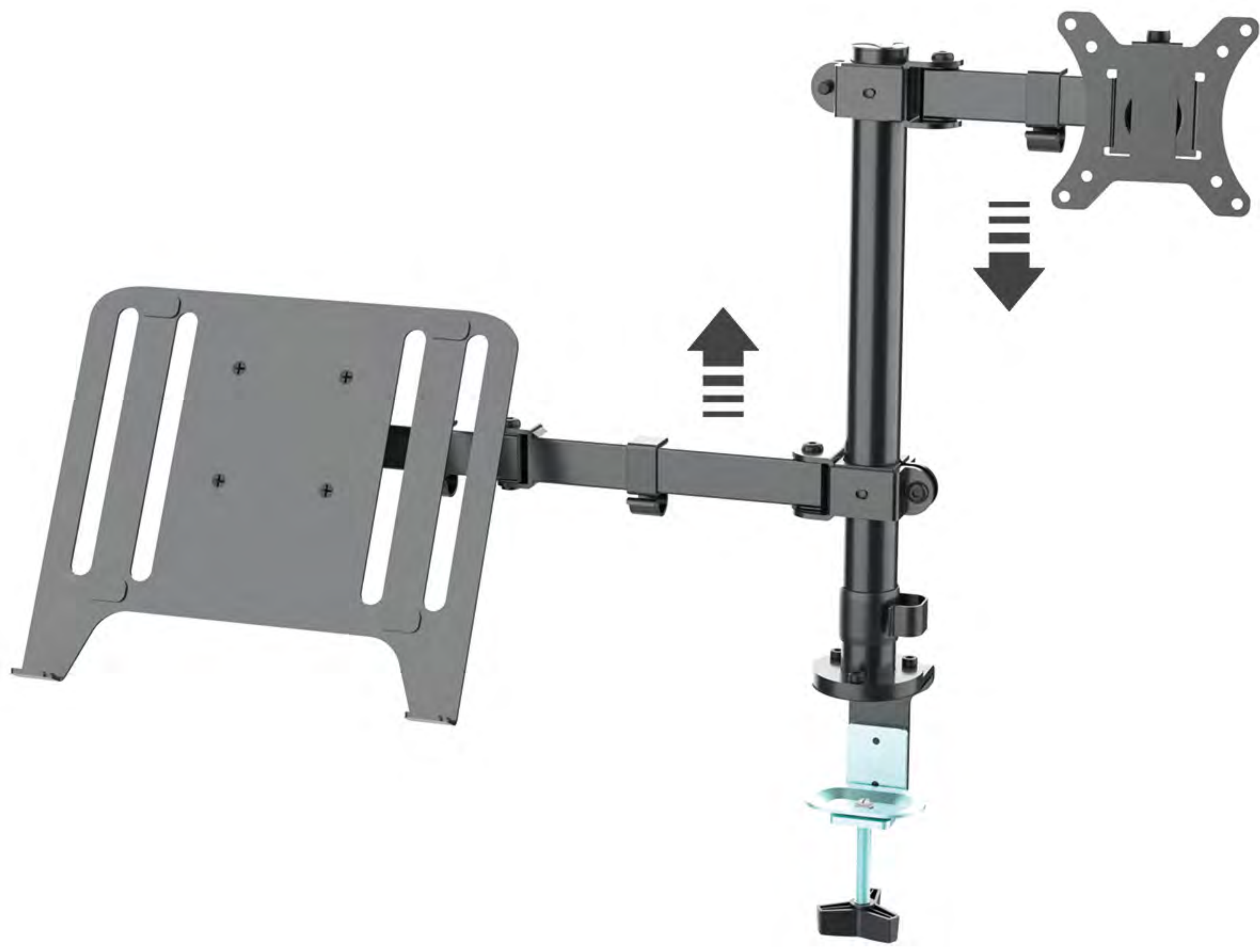
## LCD/LED Articulating Monitor Arm



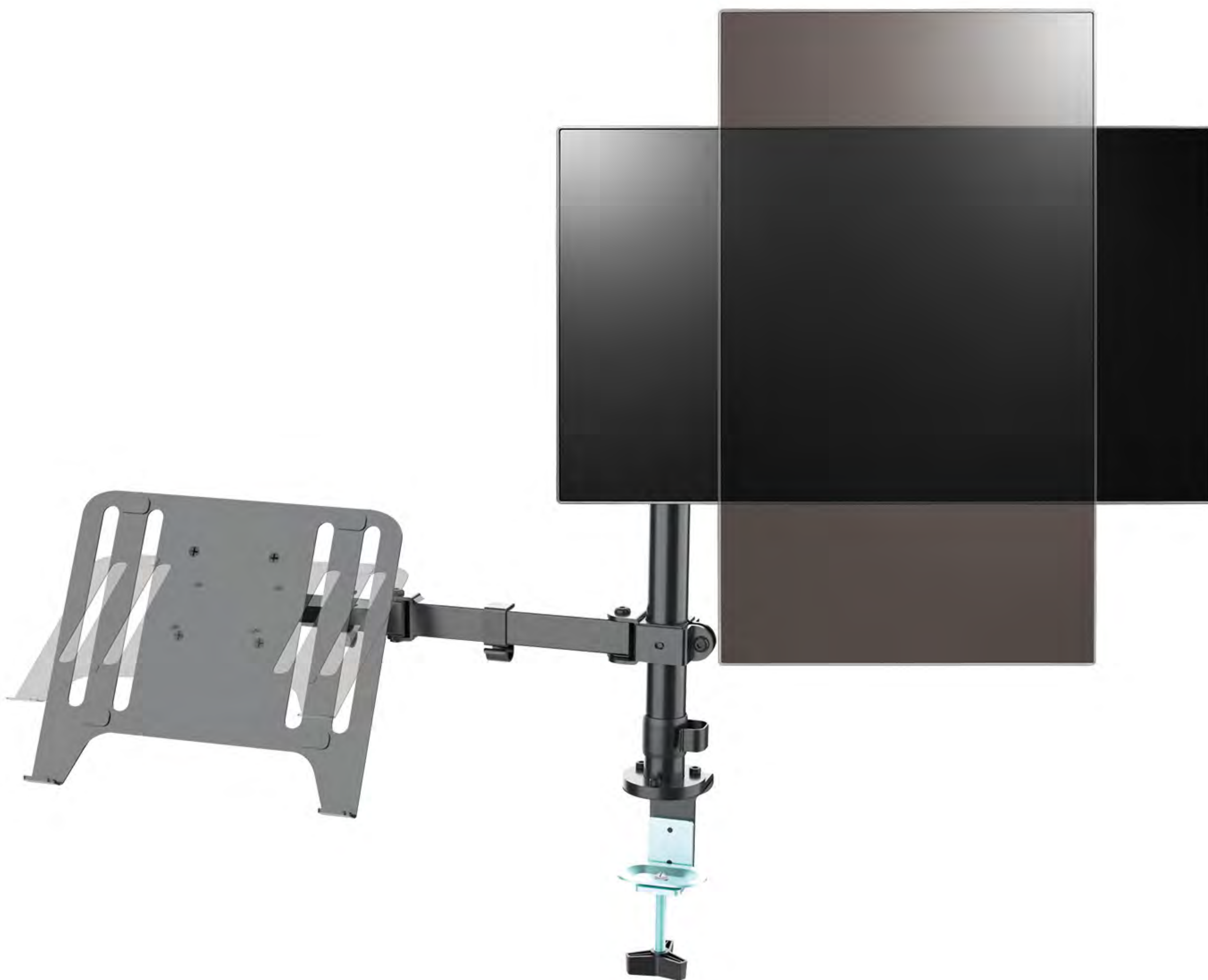
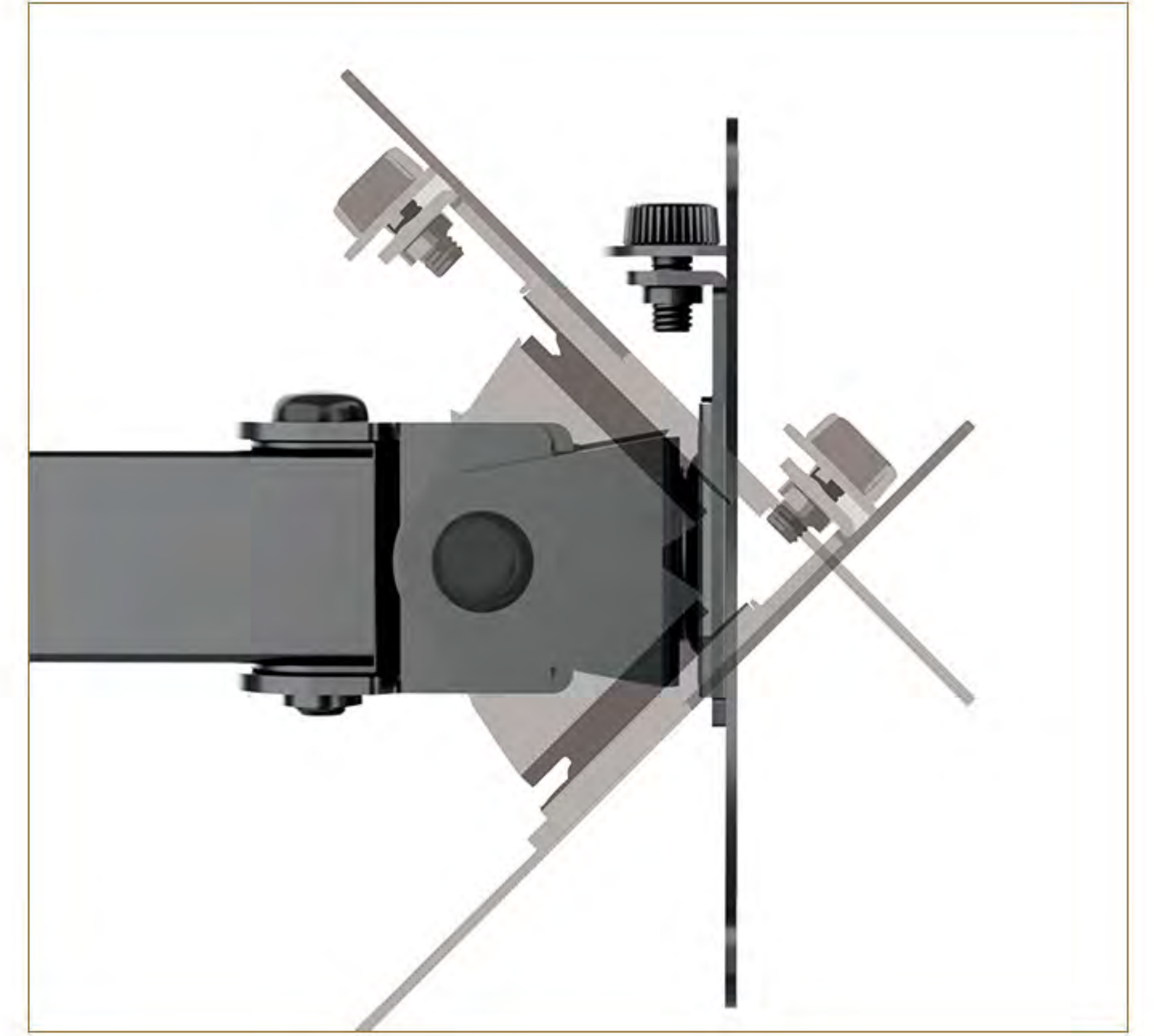
Material:	Steel
Suitable Size:	17"-32"
VESA:	100*100mm
Loadingweight:	8kgs
With Laptop Holder	
Tilt Range:	90 ° ~ -90°
Swivel Range:	90 ° ~ -90°
Screen Rotation:	180 ° ~ -180°



**HH-G01-C01M2**



Adjustment up and down



Tilt up and down  
Horizontal and vertical rotation

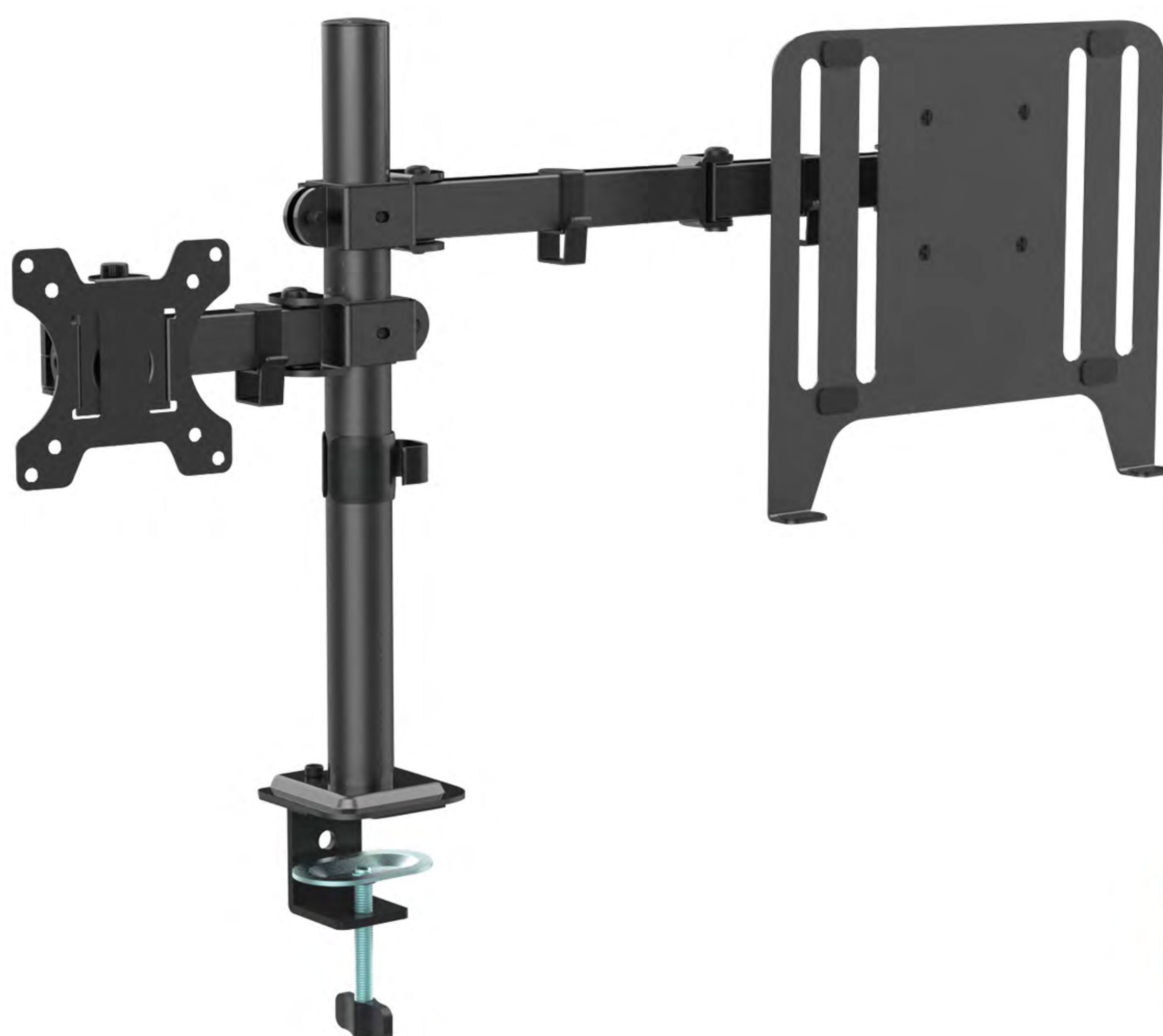


# Monitor Mount Series

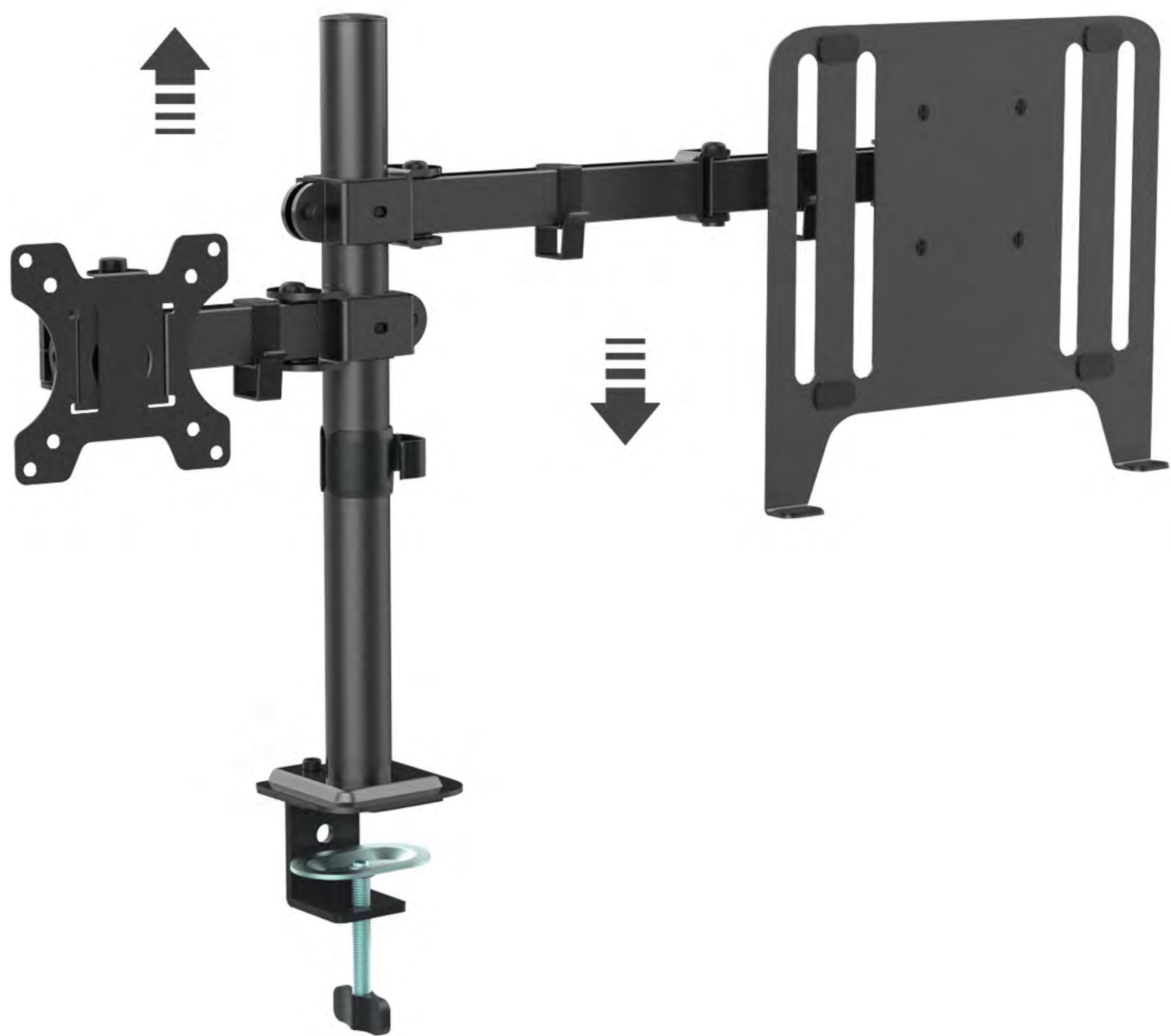
## LCD/LED Articulating Monitor Arm



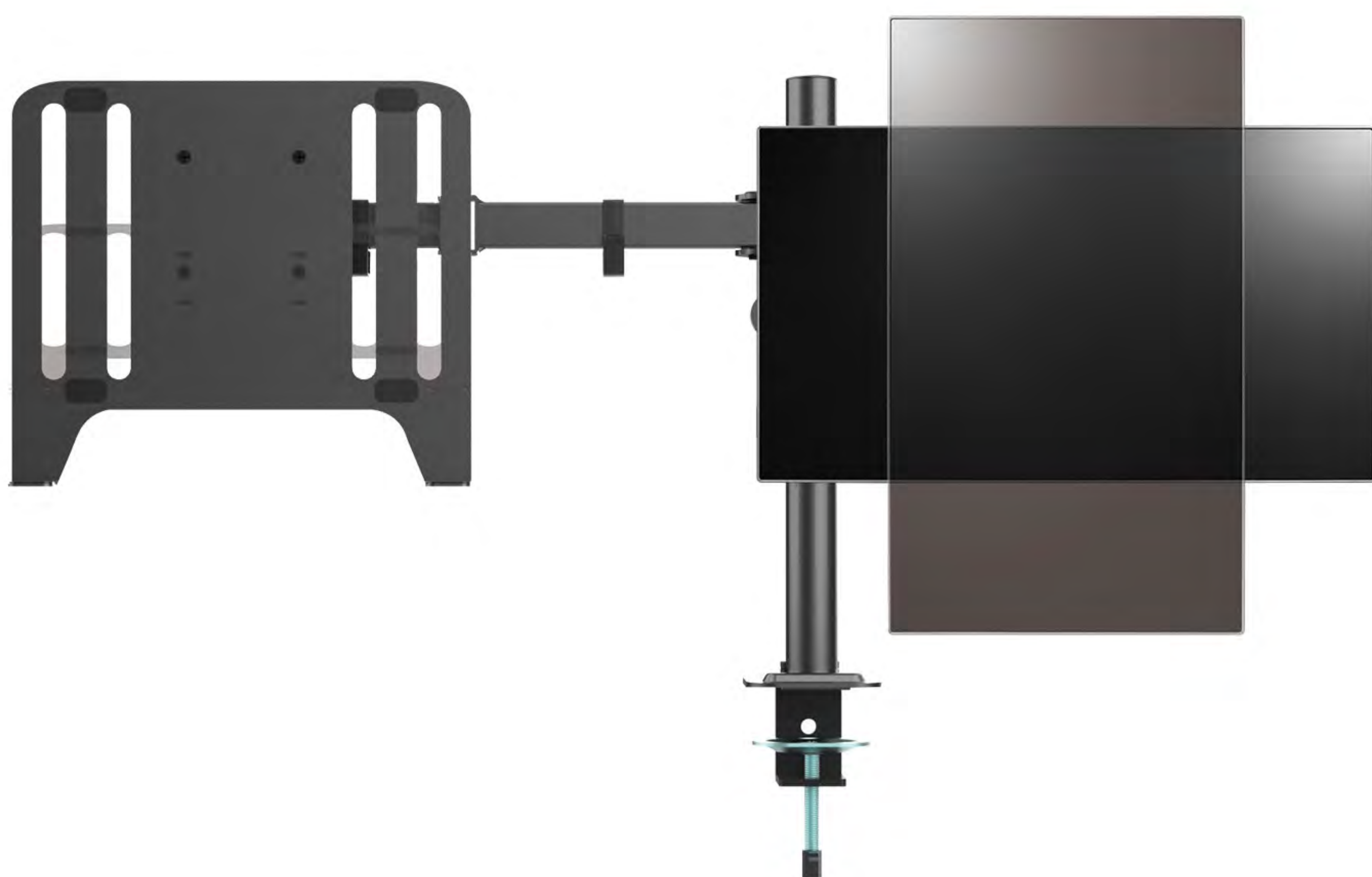
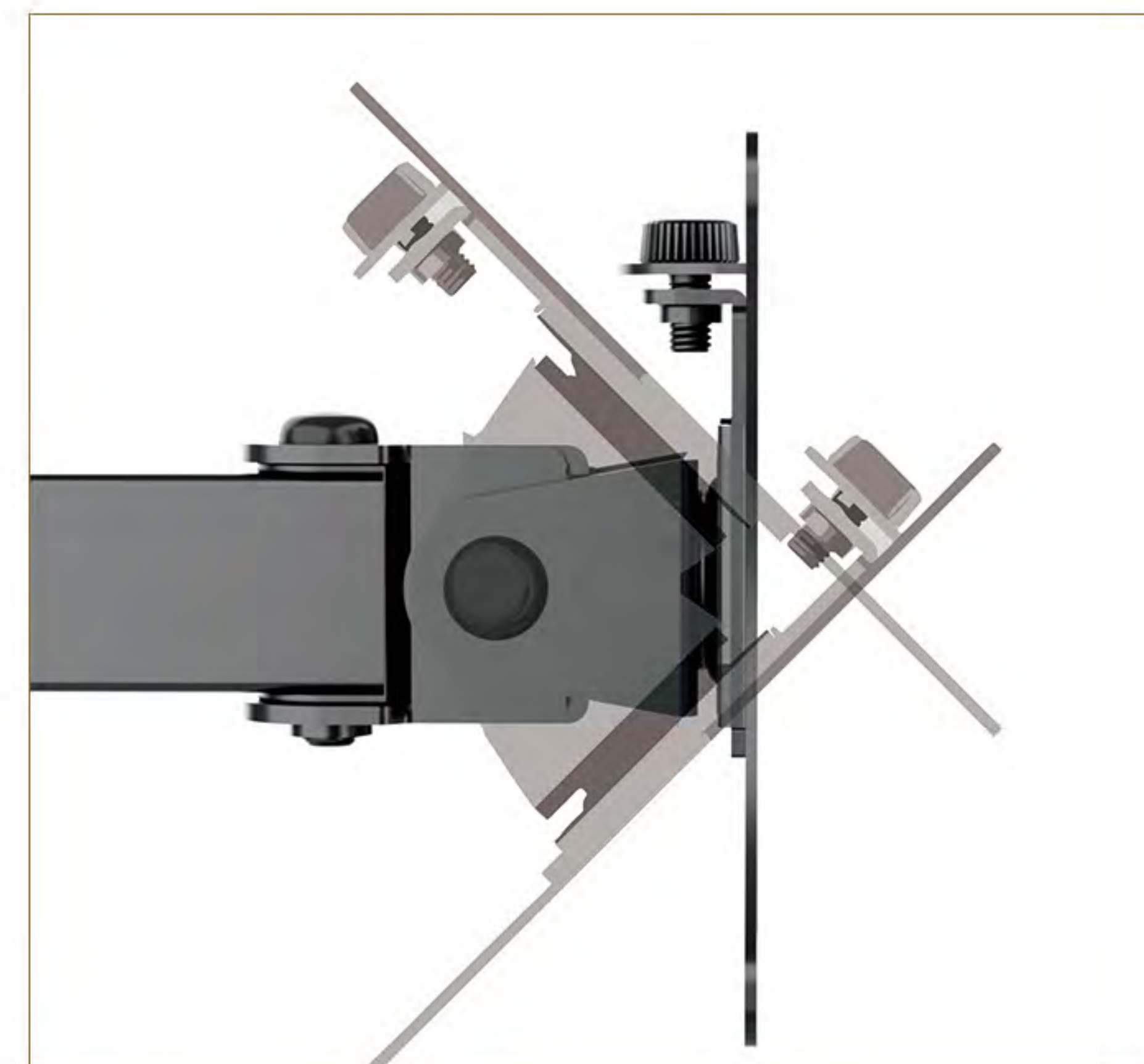
Material:	Steel
Suitable Size:	17"-32"
VESA:	100*100mm
Loadingweight:	8kgs
With Laptop Holder	
Tilt Range:	90 ° ~ -90°
Swivel Range:	90 ° ~ -90°
Screen Rotation:	180 ° ~ -180°



**HH-G01-C01M2-NEW**



Adjustment up and down



Tilt up and down  
Horizontal and vertical rotation



# Monitor Mount Series

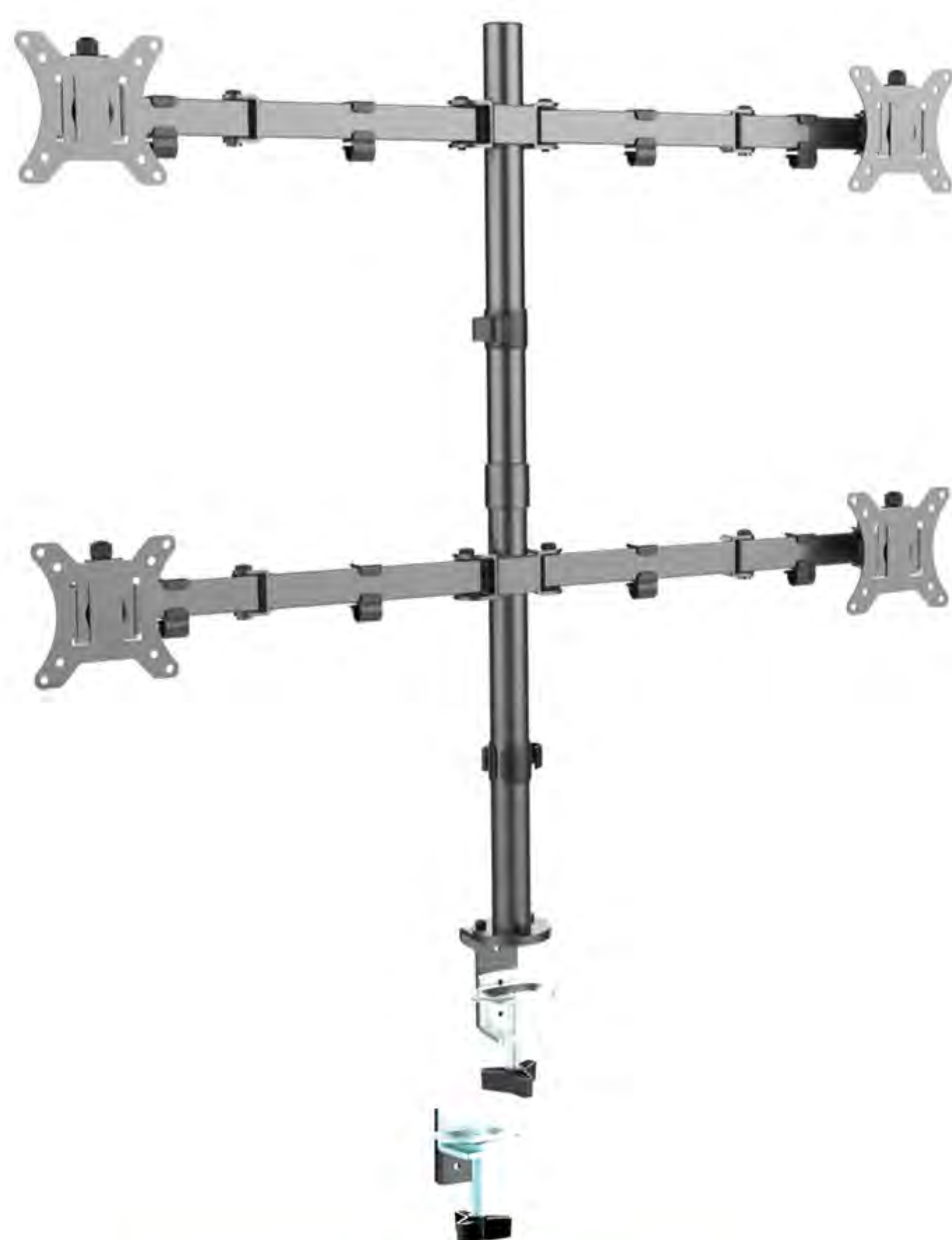
## LCD/LED Articulating Monitor Arm



**HH-G01-C002**

### Fit for 2 Monitors

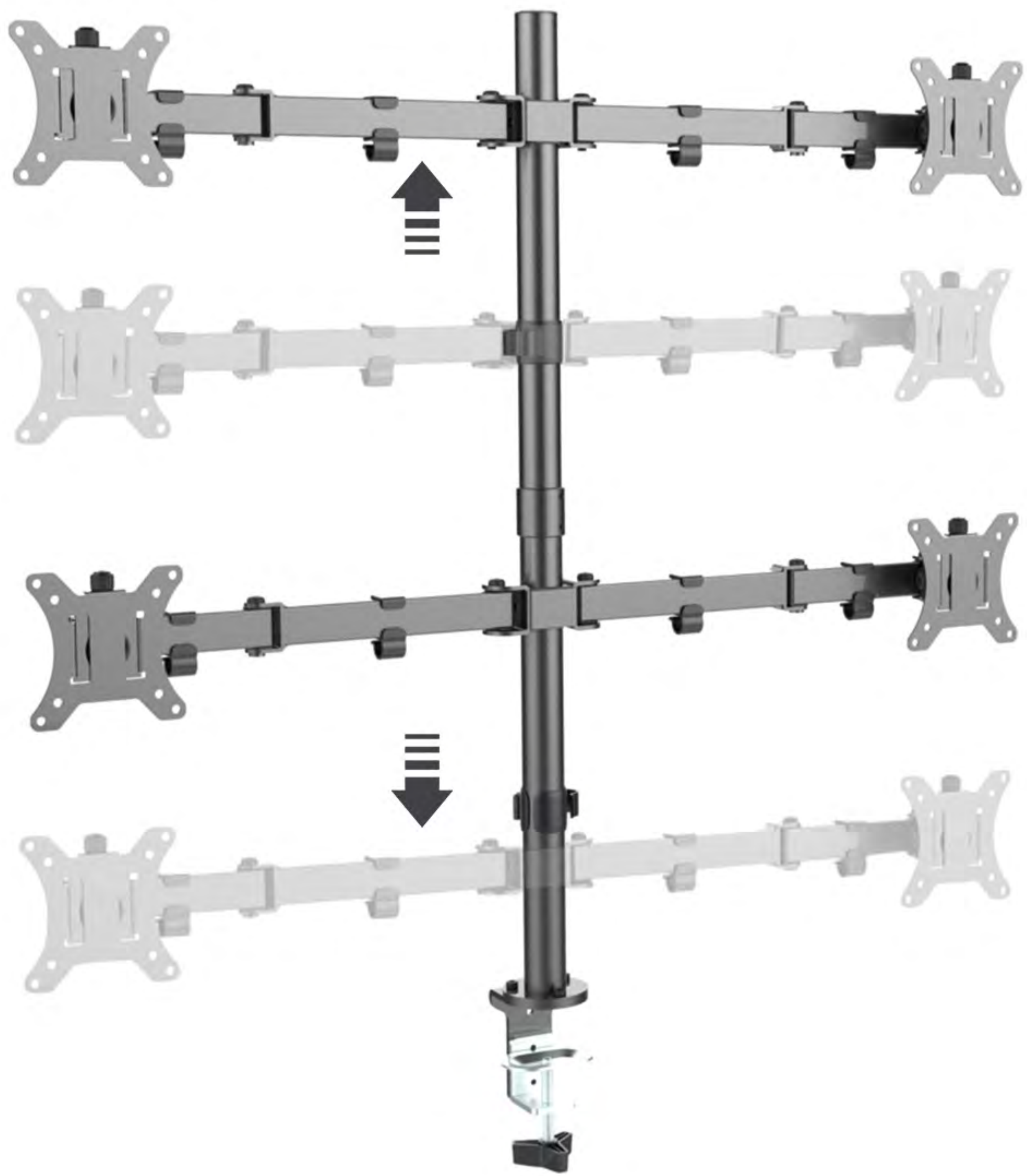
Material:	Steel
Suitable Size:	17"-32"
VESA:	100*100mm
Loadingweight:	8kgs
Tilt Range:	90 ° ~ -90°
Swivel Range:	90 ° ~ -90°
Screen Rotation:	180 ° ~ -180°



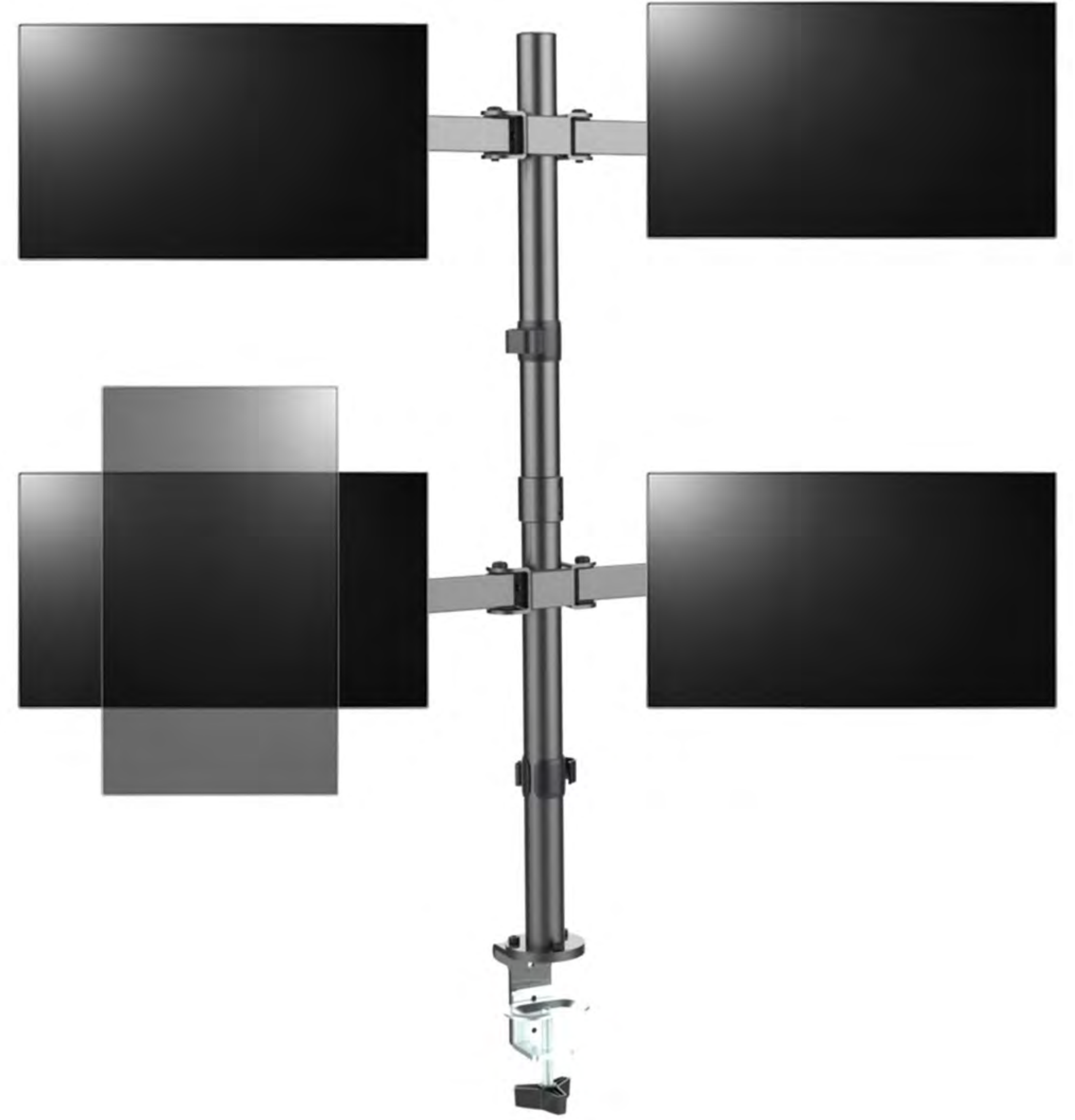
**HH-G01-C048**

### Fit for 4 Monitors

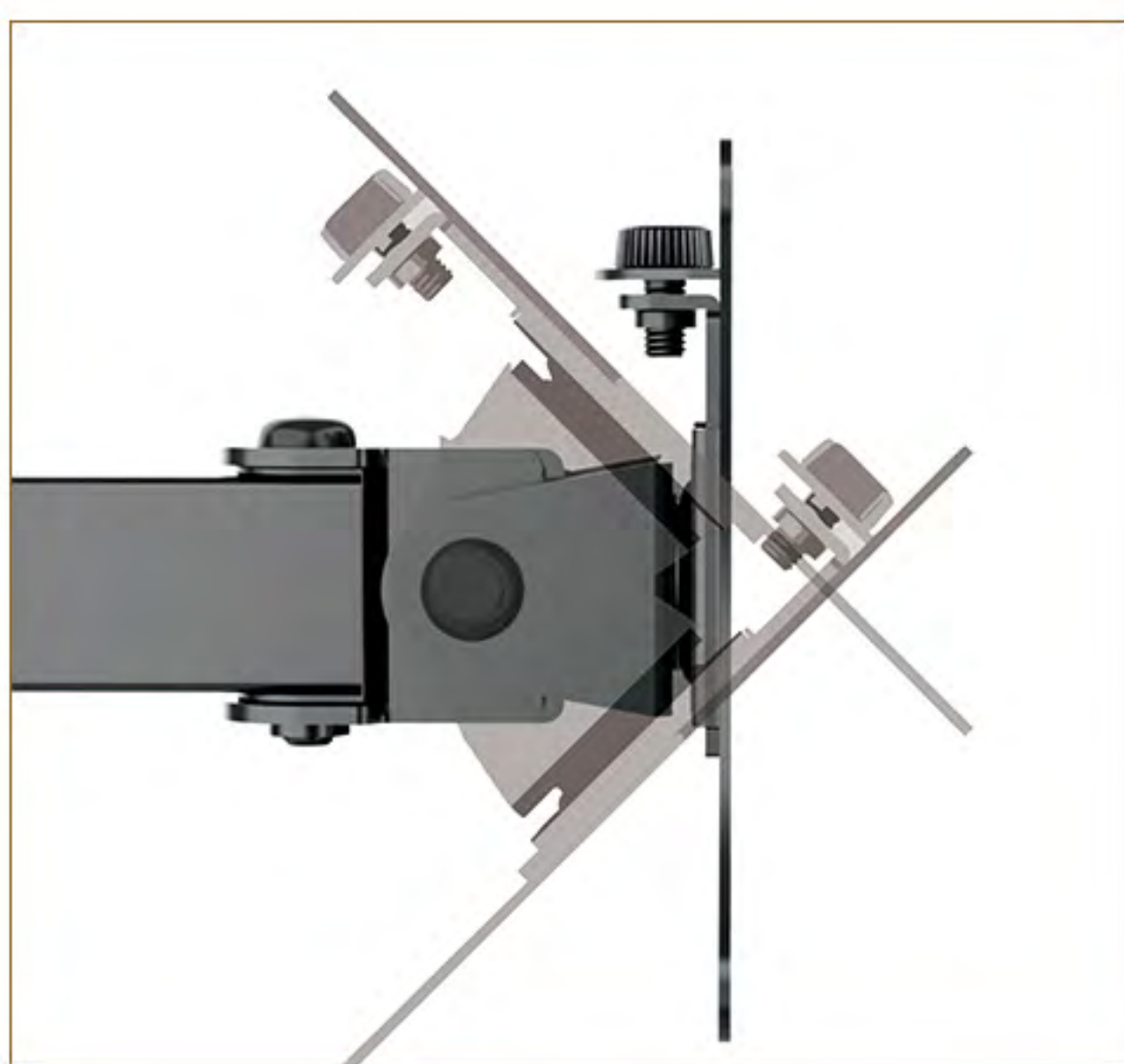
Material:	Steel
Suitable Size:	17"-32"
VESA:	100*100mm
Loadingweight:	8kgs
Tilt Range:	90 ° ~ -90°
Swivel Range:	90 ° ~ -90°
Screen Rotation:	180 ° ~ -180°



Height Adjustment



Four-screen display  
Horizontal and vertical rotation



# Monitor Mount Series

## Articulating Monitor Arm



HH-G01-T001



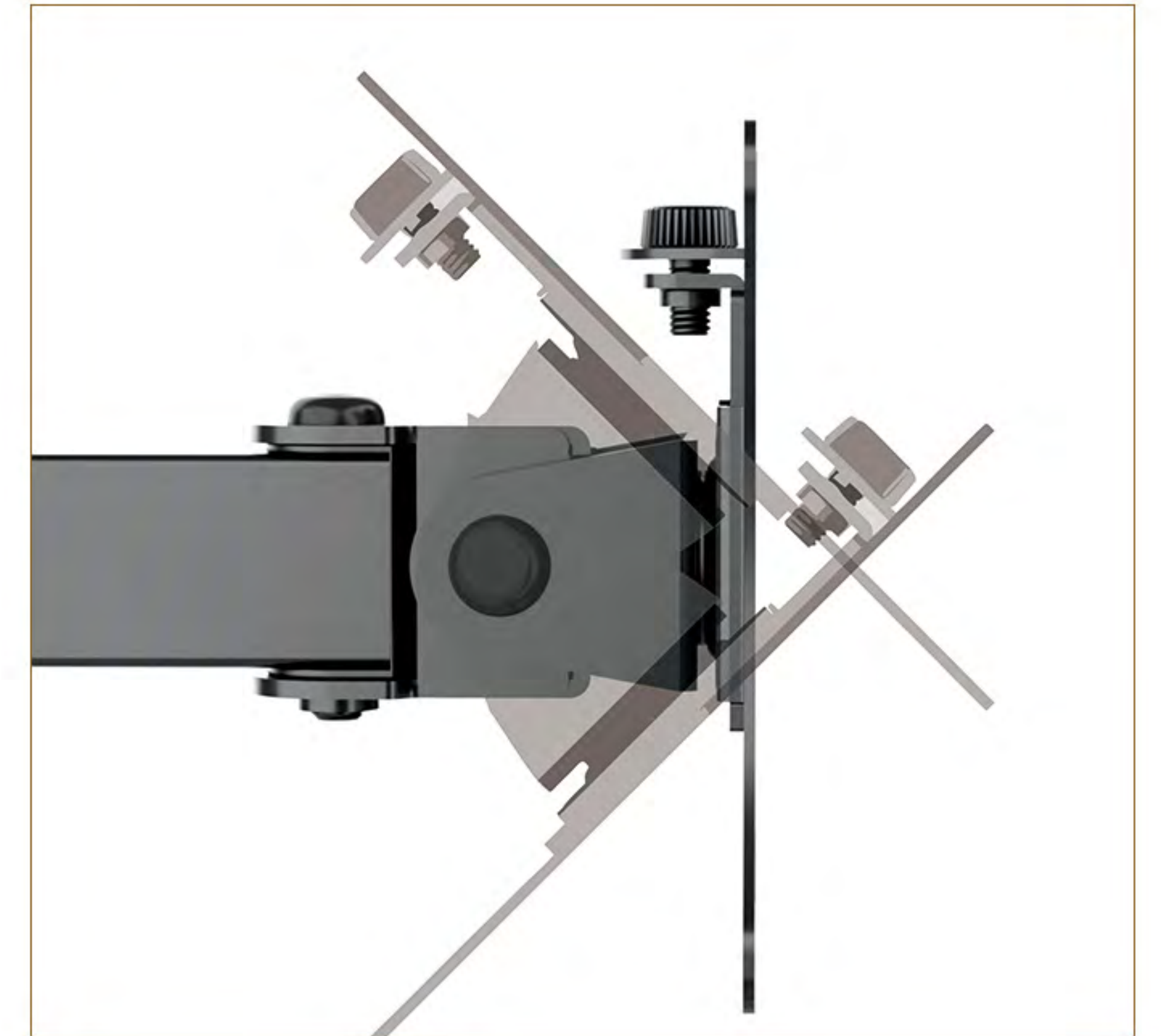
HH-G01-T024



Material:	Steel
Suitable Size:	13"-32"
VESA:	100*100mm
Loadingweight:	8kgs
Tilt Range:	90 ° ~ -90°
Swivel Range:	90 ° ~ -90°
Screen Rotation:	180 ° ~ -180°



Height Adjustment



Dual Screen Display  
Horizontal and vertical rotation

