



2024
Product
Brochure

LCD/LED Gas Spring
Monitor Arm

REWARD AND AUDIT



Factory Audit

Walmart

ACCO

CVS

Office DEPOT®



MAJOR CUSTOMER





COMPANY VISION

We are devoted to become a professional Home&Office manufacturer and provide our customers with best quality, the richest source and the most effective solutions



CONTENTS



LCD/LED Gas Spring
Monitor Arm

Interested parties are encouraged to email us at: bizdev@freeworldbrand.com with their requirements and for additional information to include pricing models and delivery terms.

Monitor Mount Series

LCD/LED Gas Spring Monitor Arm



HH-G08-C012



HH-G08-C024



HH-G08-C01M2

LCD/LED Gas Spring Monitor Arm

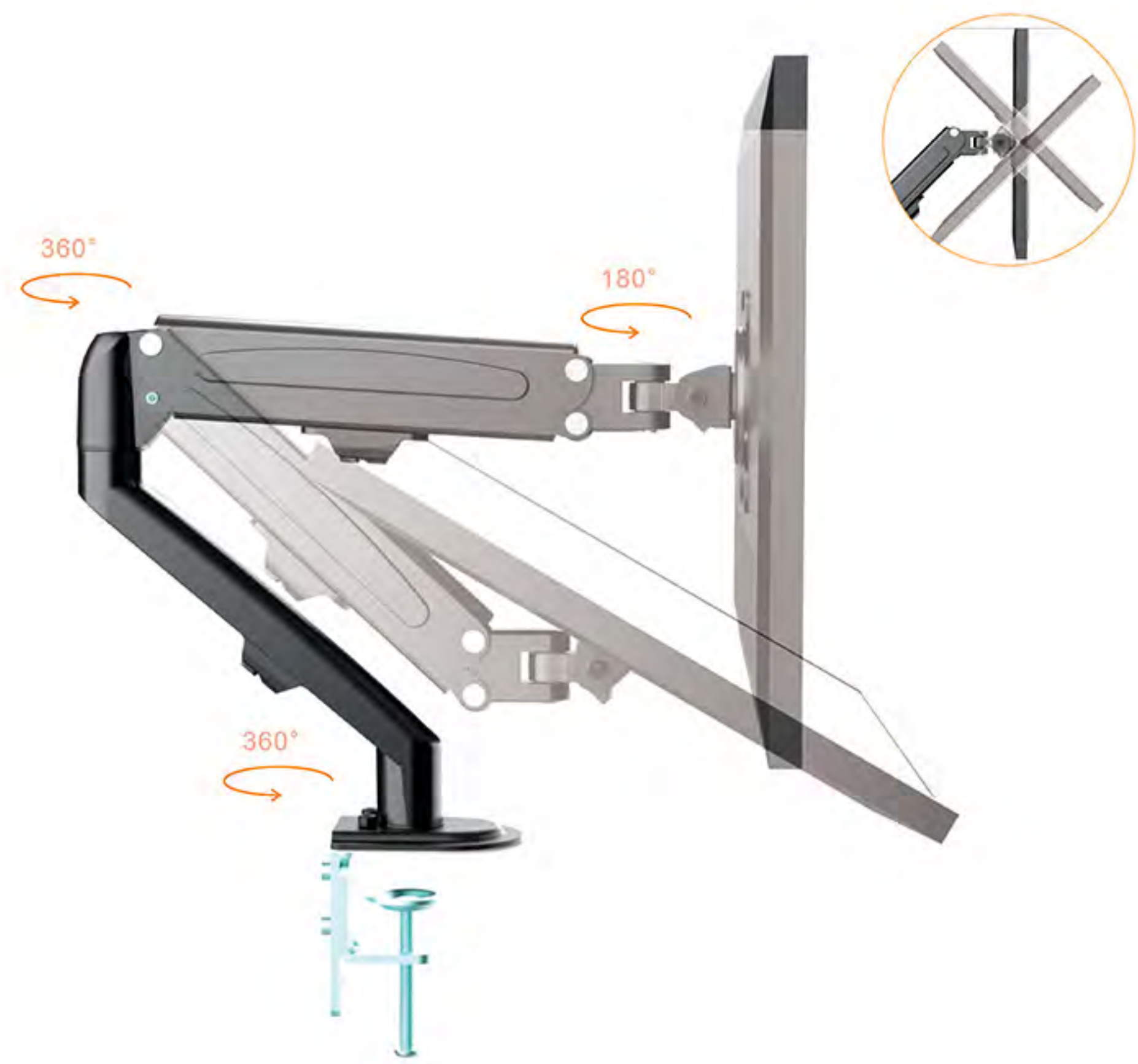
Material:	Aluminum,Steel
Suitable Size:	17"-32"
VESA:	100*100mm
Loadingweight:	2-8kgs
Tilt Range:	90 ° ~ -45°
Swivel Range:	90 ° ~ -90°

LCD/LED Gas Spring Monitor Arm

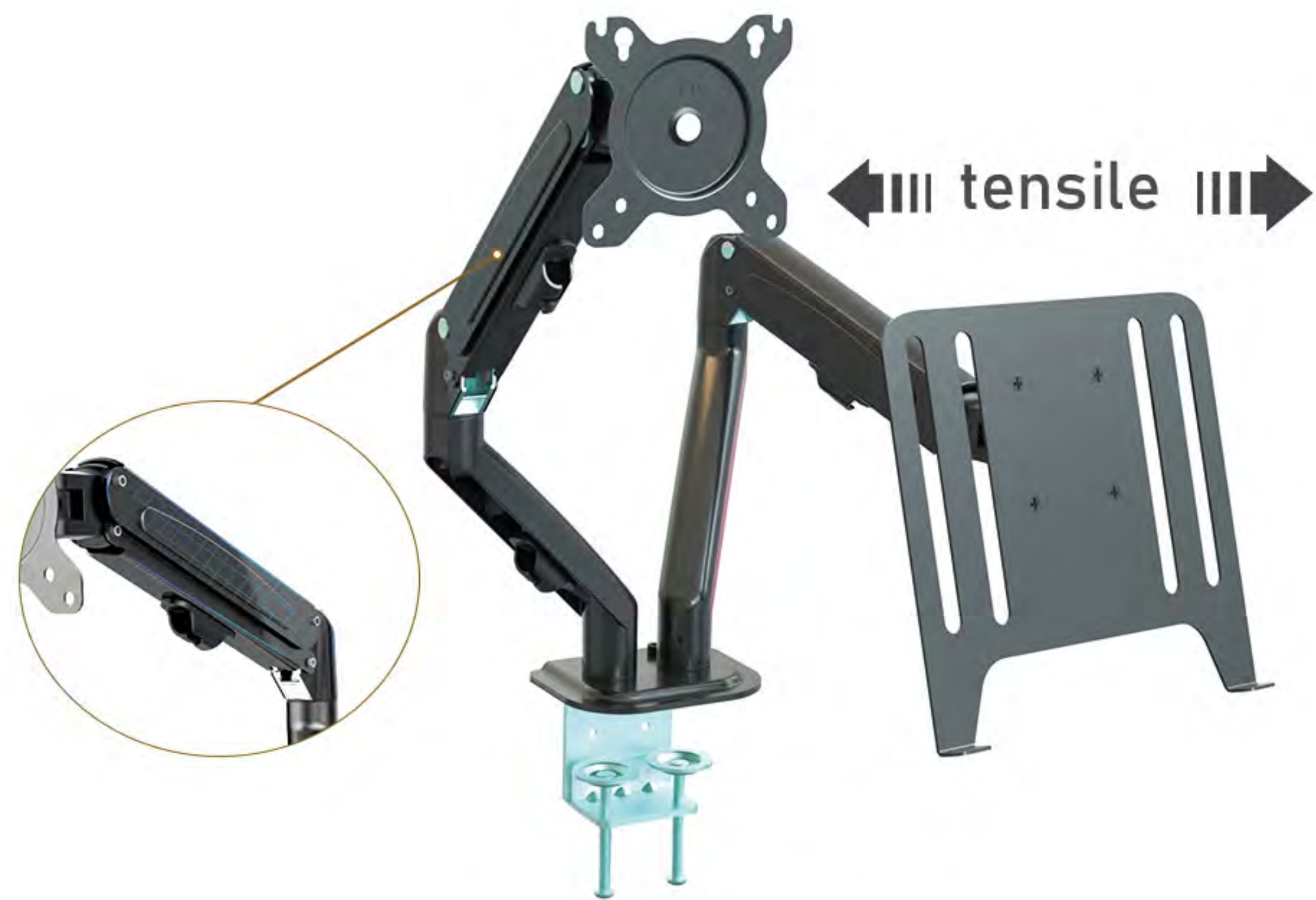
Material:	Aluminum,Steel
Suitable Size:	17"-32"
VESA:	100*100mm
Loadingweight:	2-8kgs
Tilt Range:	90 ° ~ -45°
Swivel Range:	90 ° ~ -90°

LCD/LED Gas Spring Monitor Arm with laptop holder

Material:	Steel
Suitable Size:	17"-32"
VESA:	100*100mm
Loadingweight:	2-8kgs
With Laptop Holder	
Tilt Range:	90 ° ~ -45°
Swivel Range:	90 ° ~ -90°



360° rotation
Free adjustment



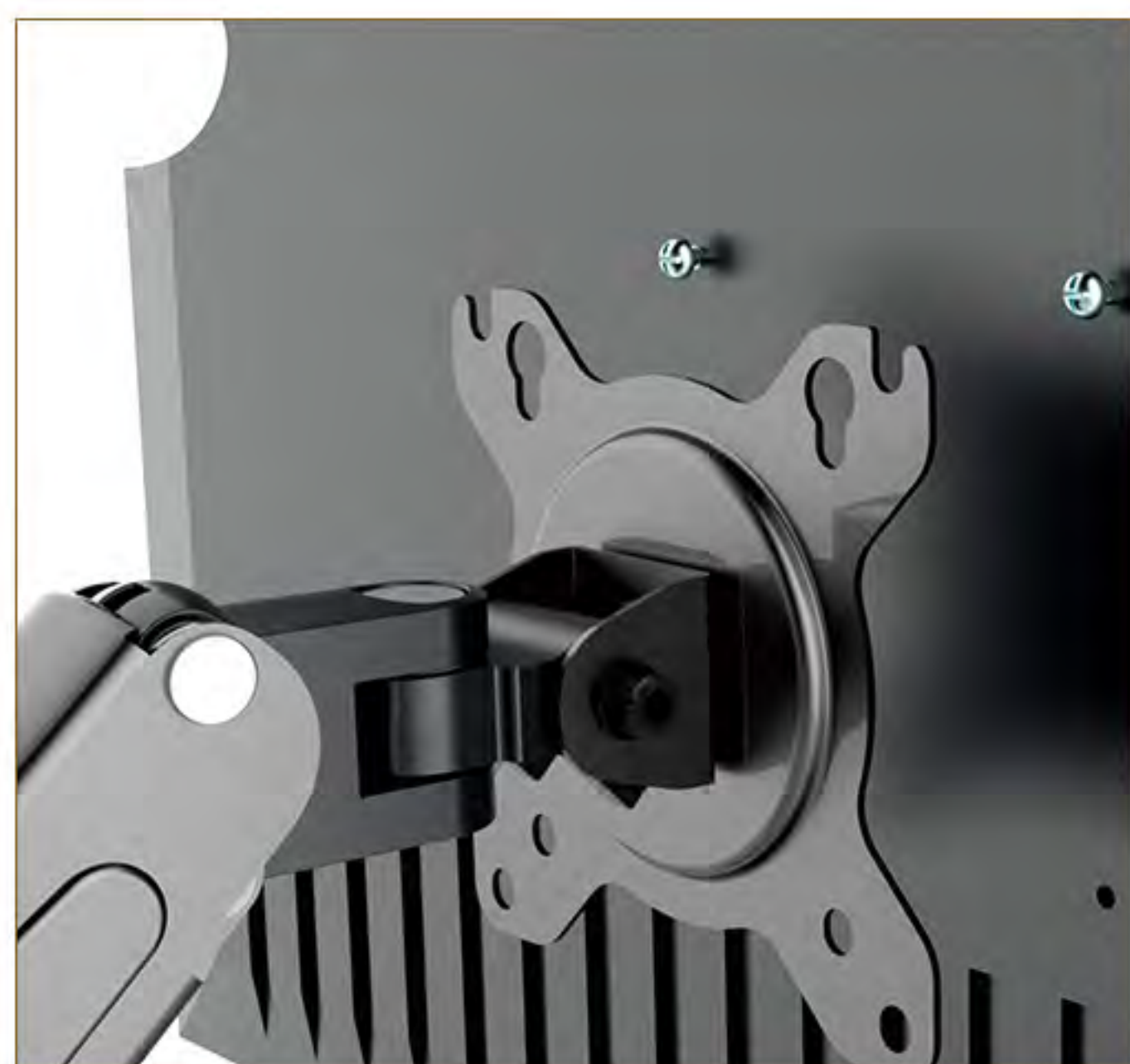
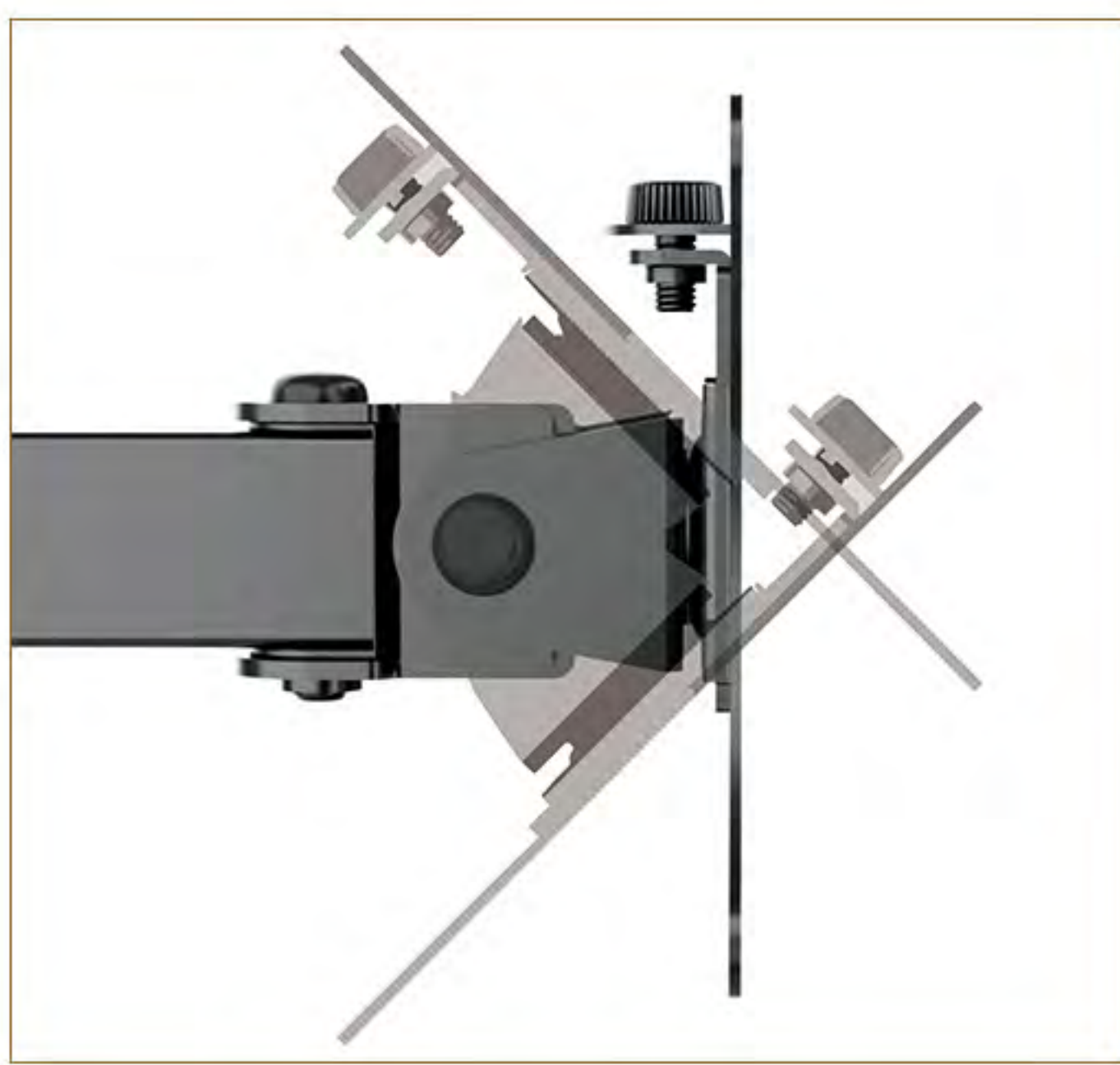
Mechanical springs
Height Adjustment



Dual Screen Display
Horizontal and vertical rotation



Multiple combinations
Horizontal and vertical rotation



Monitor Mount Series

LCD/LED Mechanical Spring Monitor Arm



HH-G09-C012

LCD/LED Mechanical Spring Monitor Arm

Material:	Aluminum,Steel
Suitable Size:	17"-32"
VESA:	100*100mm
Loadingweight:	2-8kgs
Tilt Range:	90 ° ~ -45°
Swivel Range:	90 ° ~ -90°



HH-G09-C024

LCD/LED Mechanical Spring Monitor Arm Dual

Material:	Aluminum,Steel
Suitable Size:	17"-32"
VESA:	100*100mm
Loadingweight:	2-8kgs
Tilt Range:	90 ° ~ -45°
Swivel Range:	90 ° ~ -90°



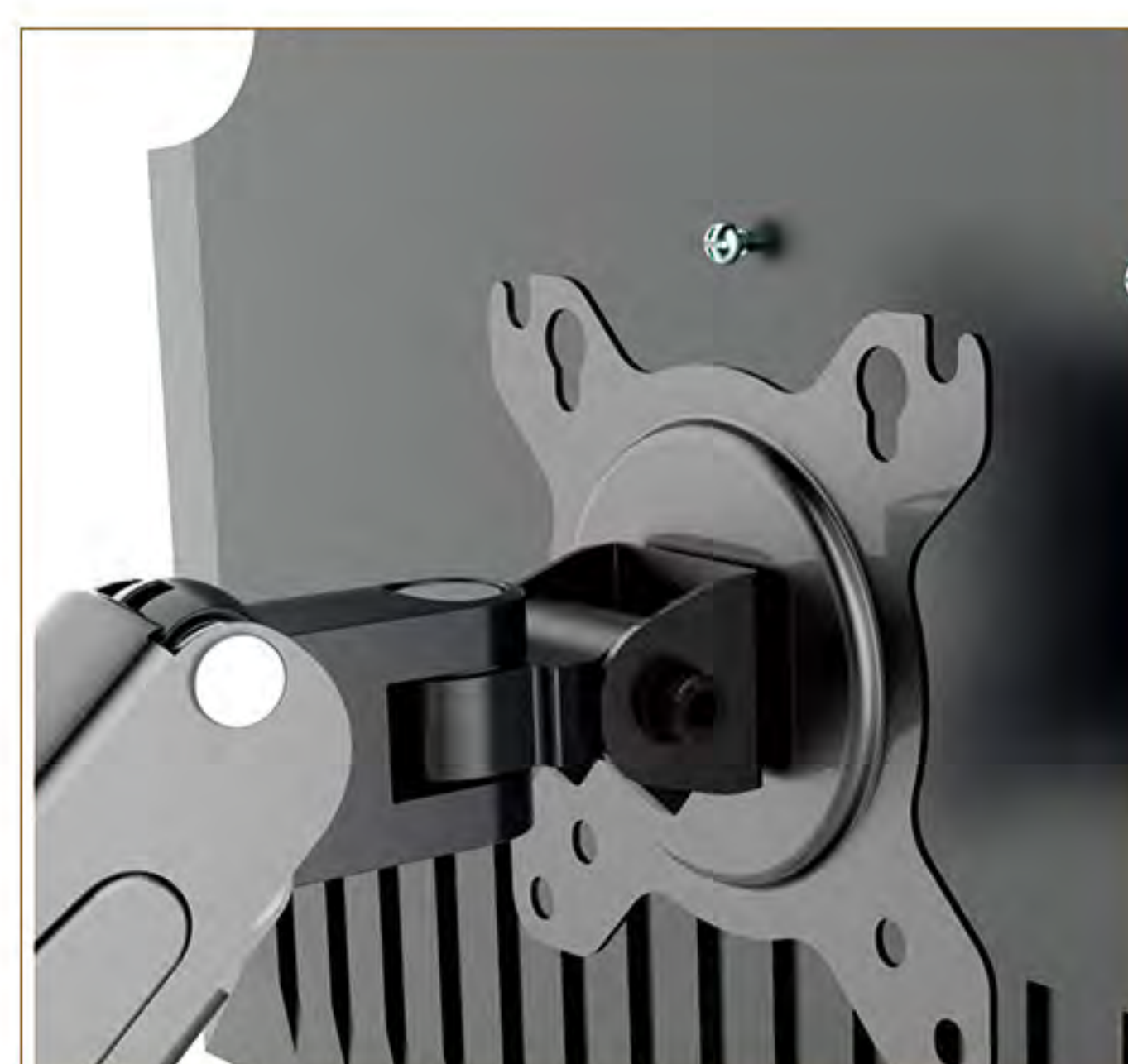
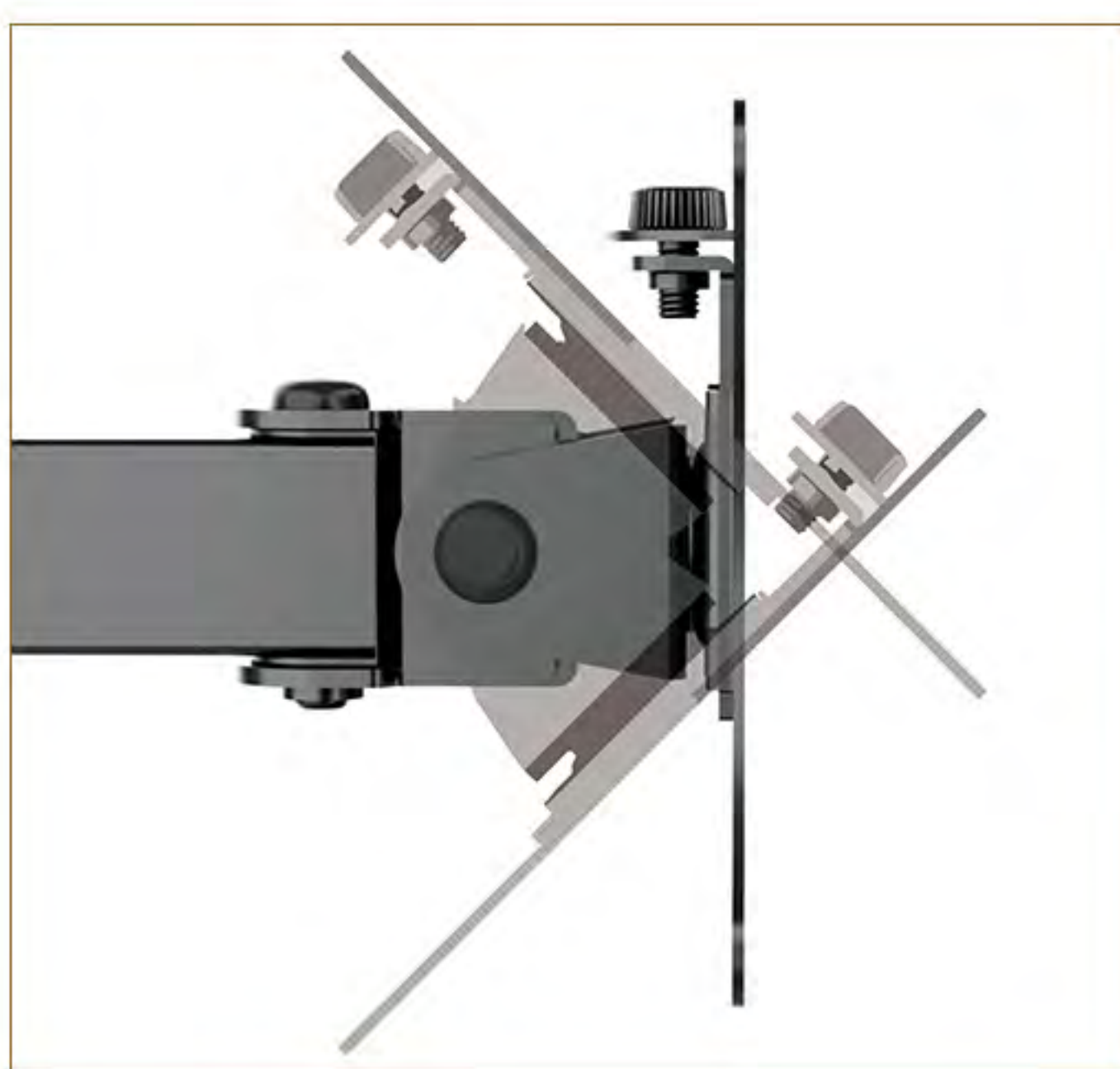
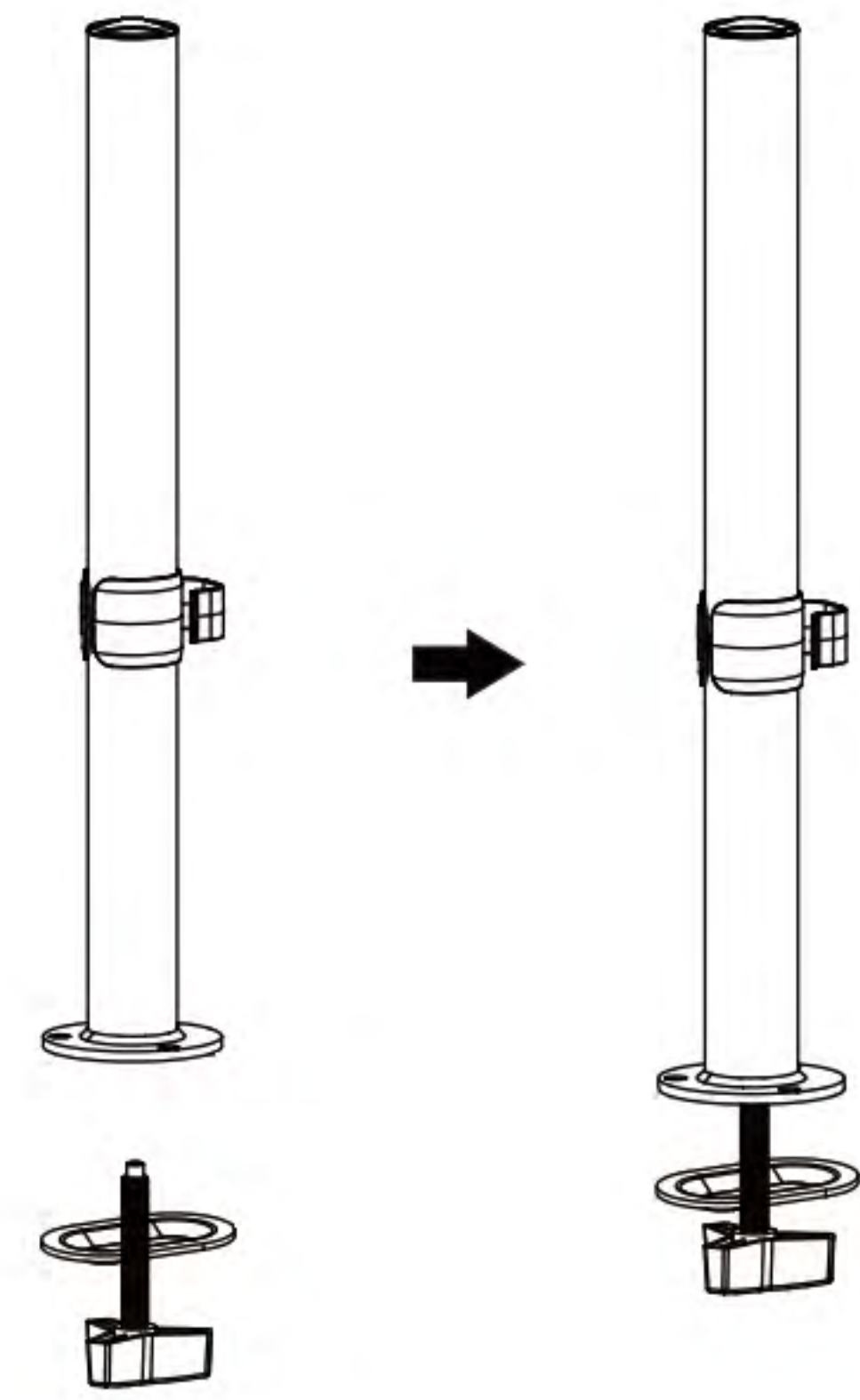
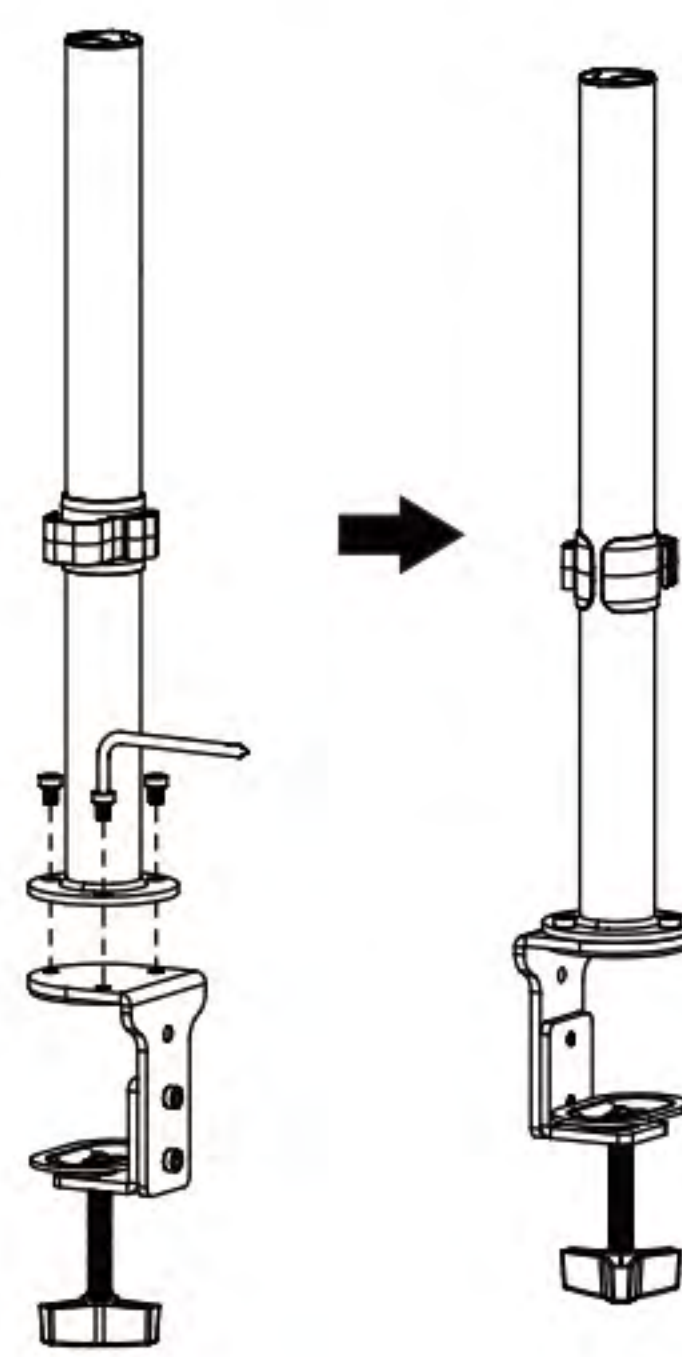


Mechanical springs
Height Adjustment



Dual Screen Display
Horizontal and vertical rotation

Two installation
methods



Monitor Mount Series



New Gas Spring Monitor Arm with USB port



HH-G02-C012

New Gas Spring Single Monitor Arm with USB port

Material:	Aluminum
Suitable Size:	17"-35"
VESA:	100*100mm
Loading weight:	2-15kgs
Tilt Range:	90 ° ~ -90°
Swivel Range:	90 ° ~ -90°
2 x USB	



HH-G02-C024

New Gas Spring Single Monitor Arm with USB port

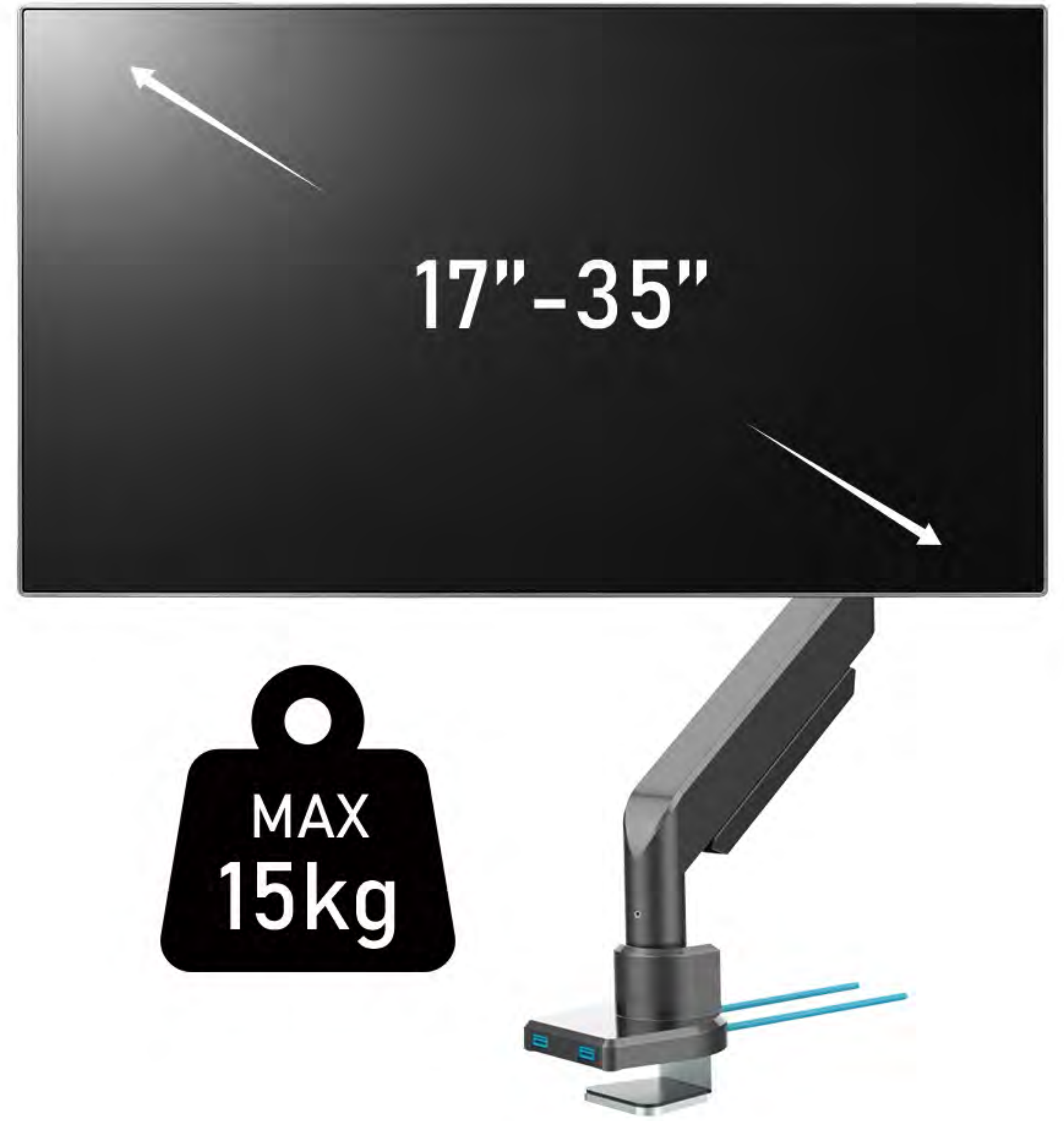
Material:	Aluminum
Suitable Size:	17"-35"
VESA:	100*100mm
Loading weight:	2-15kgs
Tilt Range:	90 ° ~ -90°
Swivel Range:	90 ° ~ -90°
2 x USB	



Gas spring
Height Adjustment

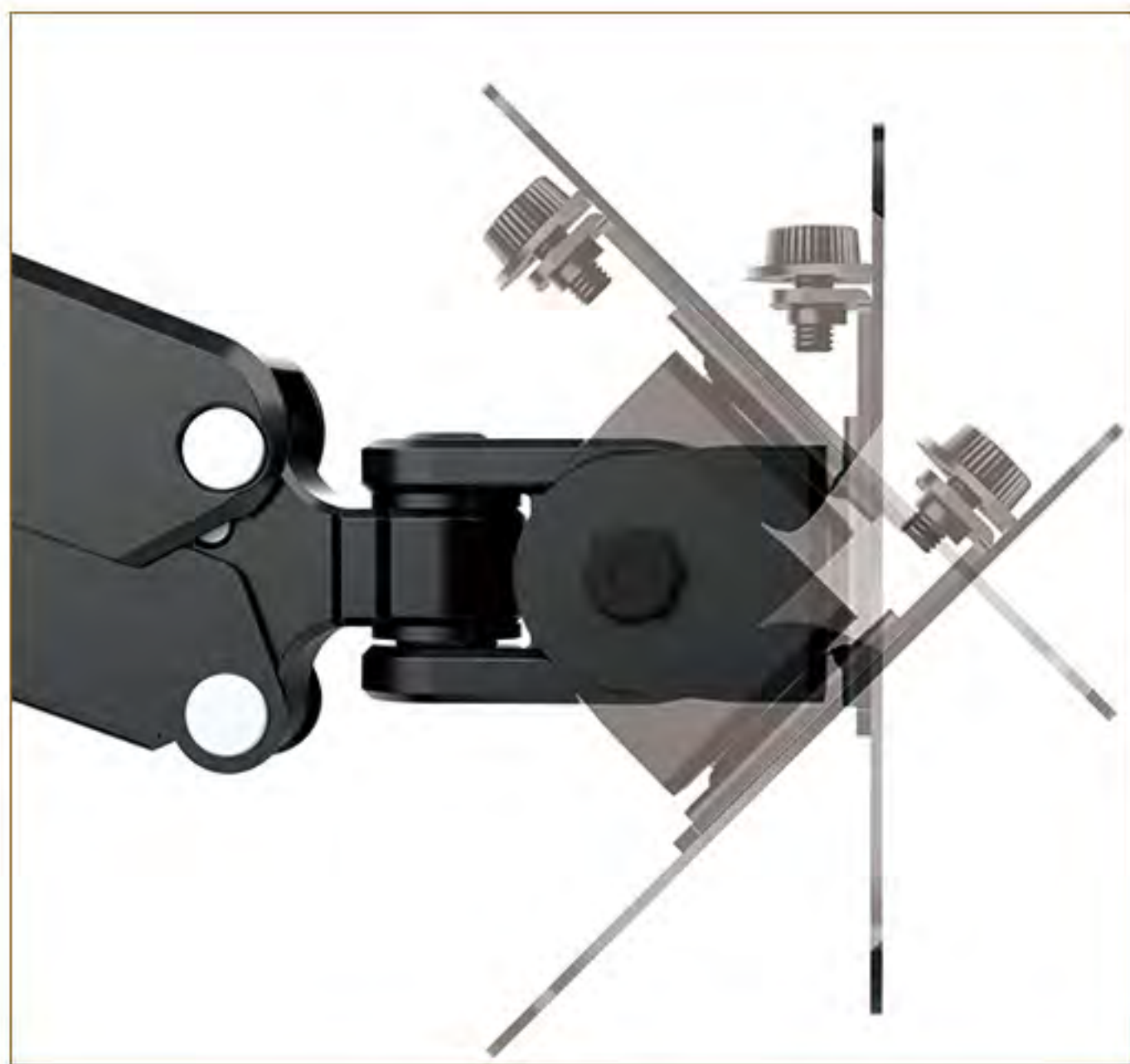
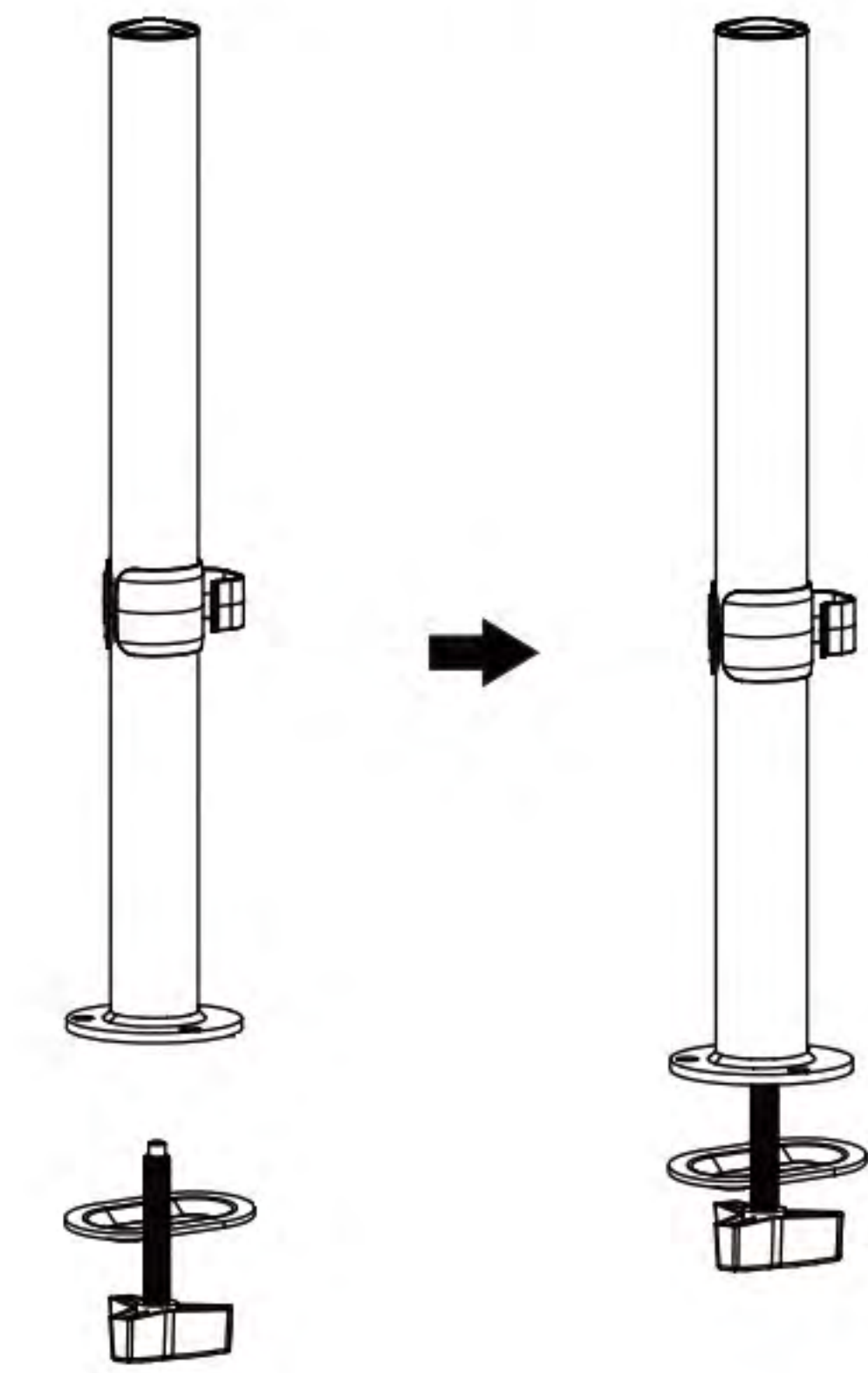
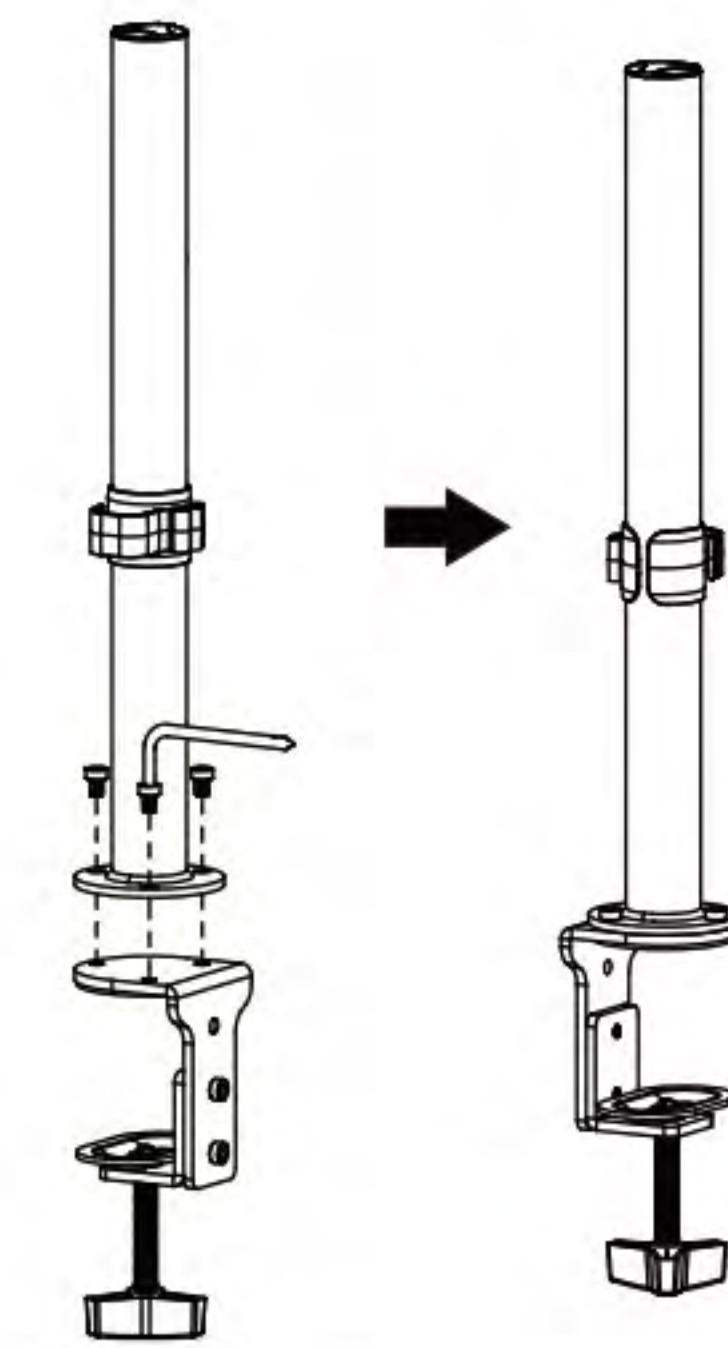


Dual Screen Display
Horizontal and vertical rotation



17-35" Wide Curved Screen
2-15kg weight capacity

Two installation
methods



Monitor Mount Series



New Gas Spring Monitor Arm with USB port



LS-TM10

New Gas Spring Monitor Arm

Material:	Steel + Plastic
Suitable Size:	17"-27"
VESA:	75*75mm、100*100mm
Loading weight:	2-9kgs
Angle free tilt from :	+60° - -45°
Product size:	40.5x11.5x28cm
For Table Thickness :	Clamp : 20-100mm Grommet : 10mm-60mm



Horizontal and vertical rotation free switch



Mechanical boost plus, pneumatic drive, dynamic hovering

Two installation methods

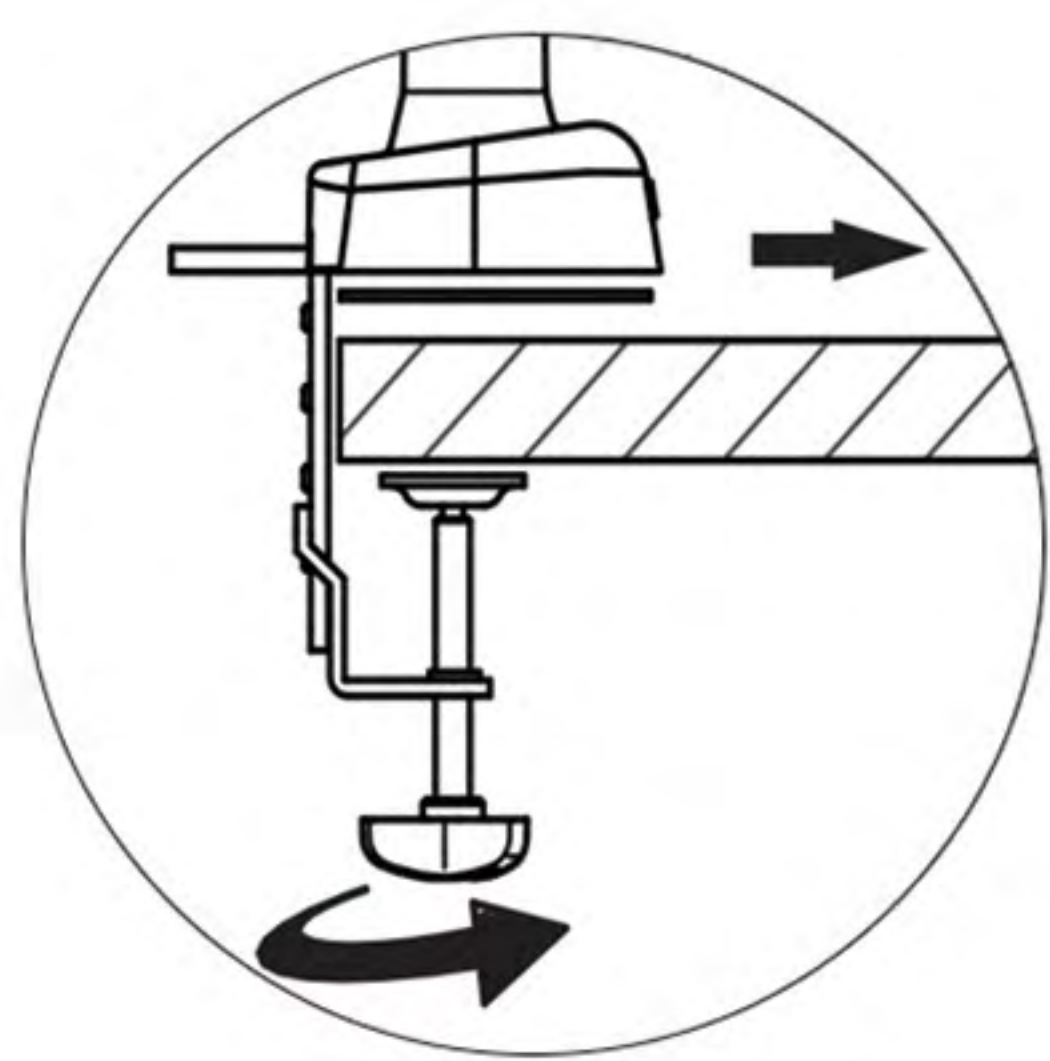


Table Clamp Installation

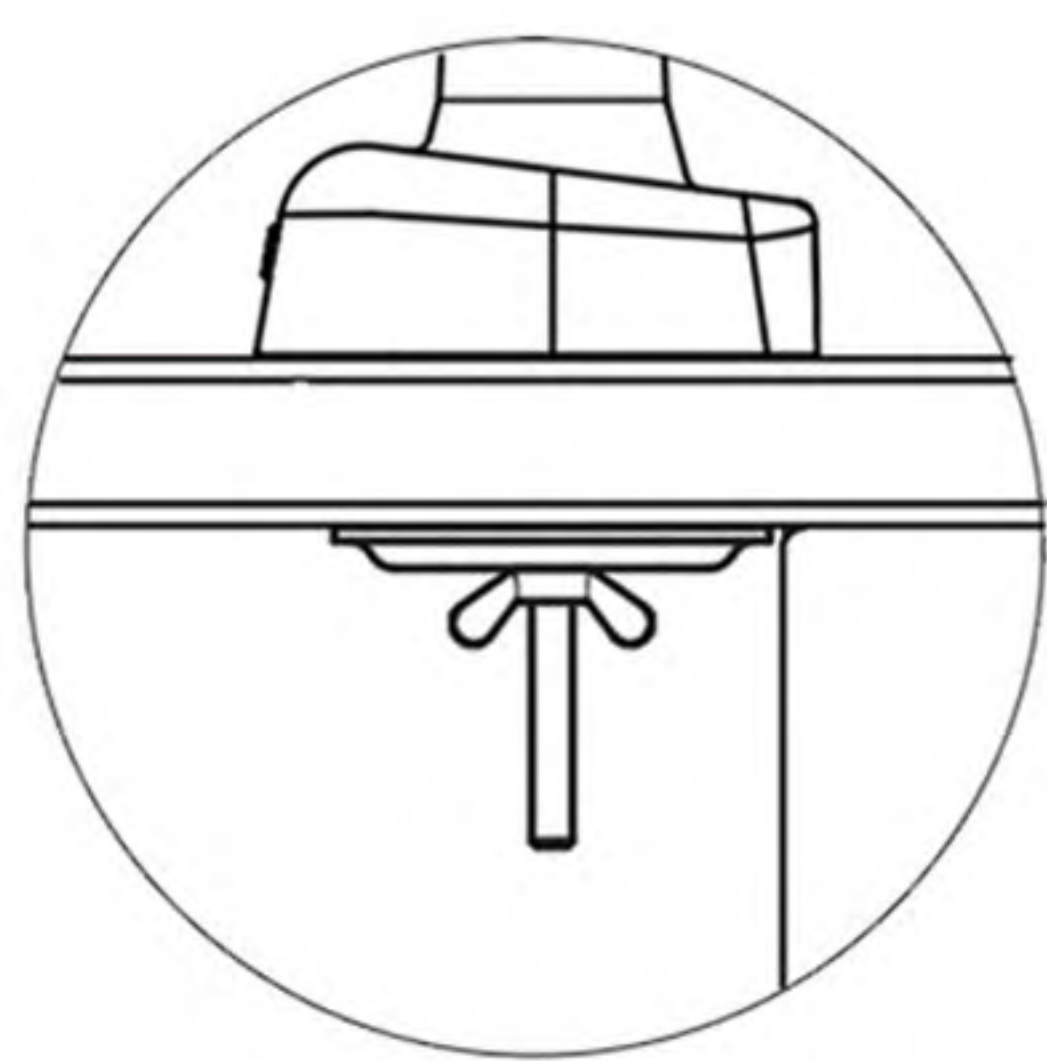


Table Hole Installation

