



2024  
Product  
Brochure  
—  
TV Floor Tripod Stand



# REWARD AND AUDIT



Factory Audit

Walmart

ACCO

CVS

Office DEPOT®



# MAJOR CUSTOMER







**PRESS**



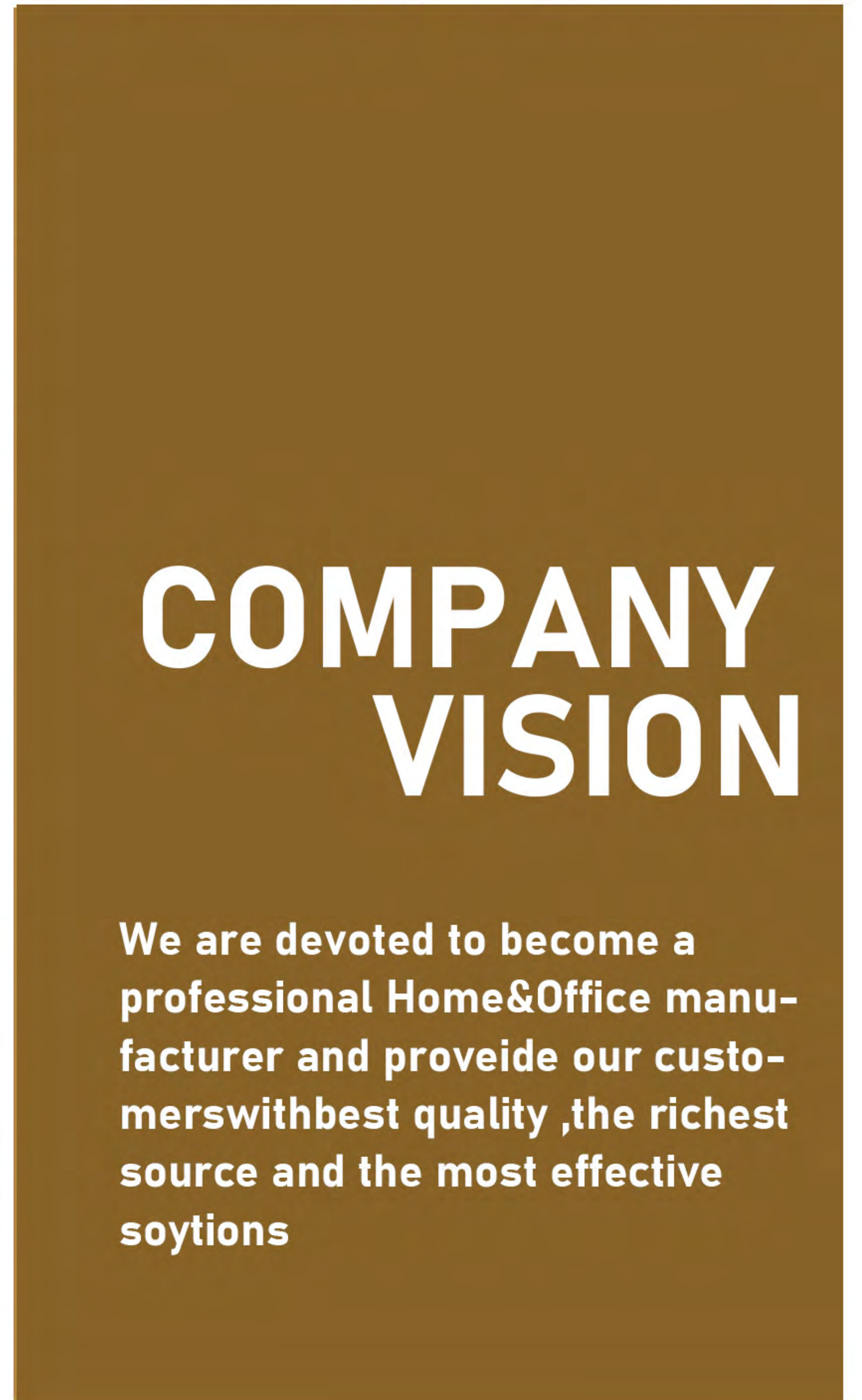
**INJECTION  
MOLDING MACHINE**



**WORKSHOP  
WORK AS**



**OFFICE  
ENVIRONMENT**



# COMPANY VISION

We are devoted to become a professional Home&Office manufacturer and provide our customers with best quality, the richest source and the most effective solutions



**THE STEAM  
CONTROL  
PUNCH PRESS**



# CONTENTS



## TV Floor Tripod Stand

*Interested parties are encouraged to email us at: [bizdev@freeworldbrand.com](mailto:bizdev@freeworldbrand.com) with their requirements and for additional information to include pricing models and delivery terms.*



# TV Floor Stand Series

## TV Floor Tripod Stand



**HH-TT04**

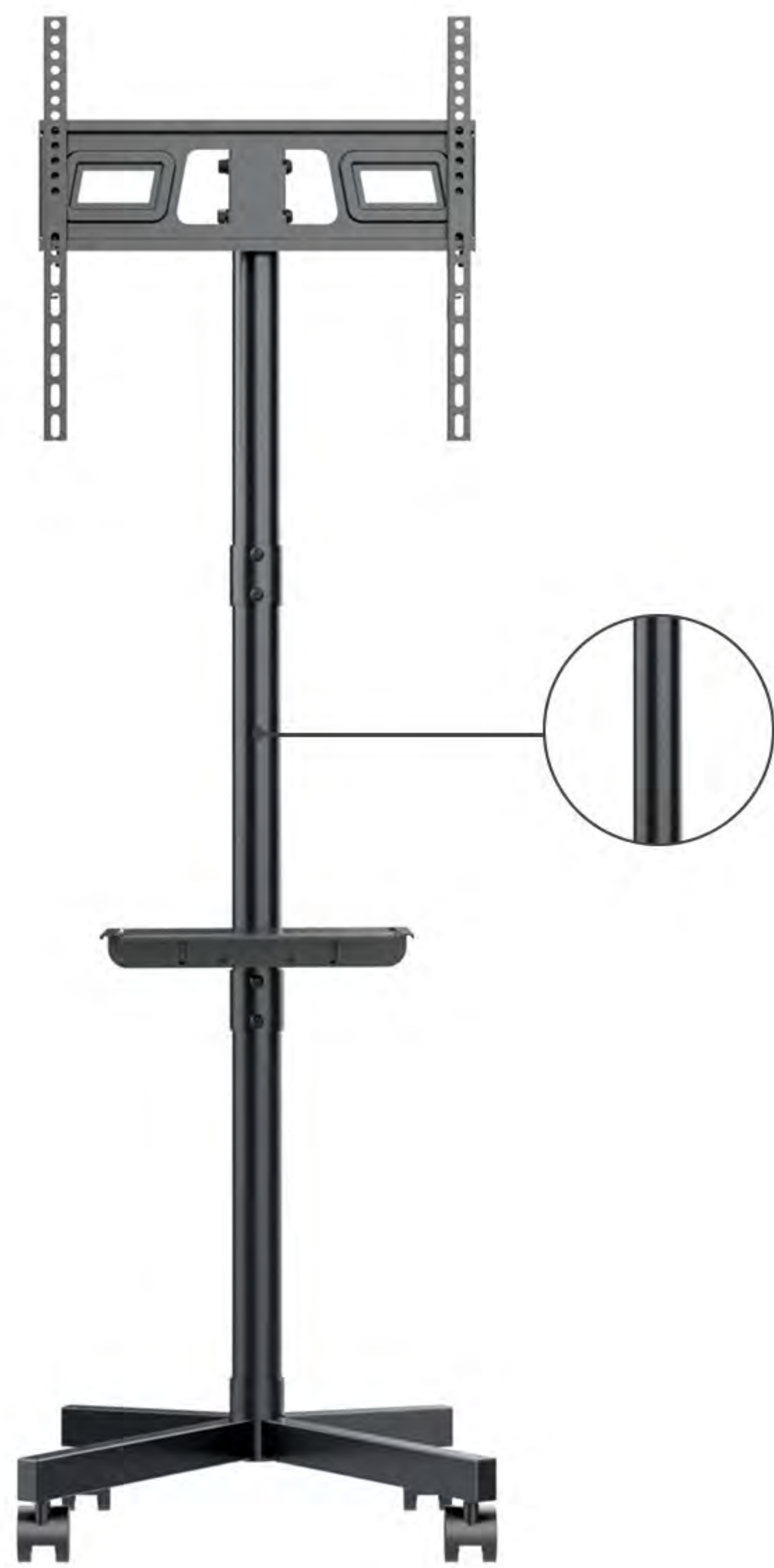
Material:	Cold Rolled Steel
Fit Screen Size:	23"-55"
MAX VESA:	400x400mm
TV Weight Capacity:	25kg (55lbs)
Tilt Range:	+5°~-0°
Shelf size:	300*220mm
Shelf Weight Capacity:	5kg (11lbs)
TV arm has two height could be adjusted	
Product Height:	1495 or 1545mm
360-degree steering wheel with brake	



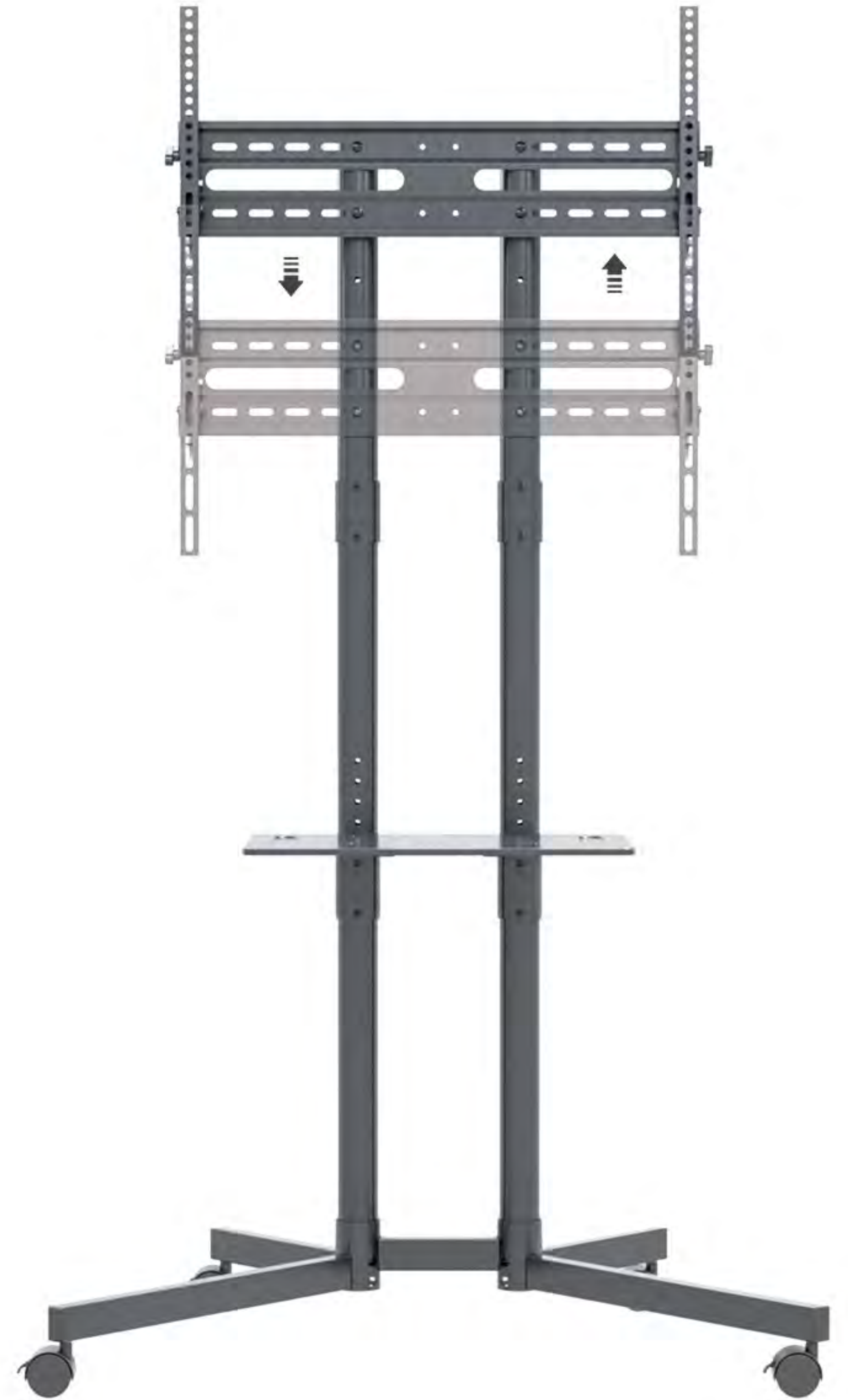
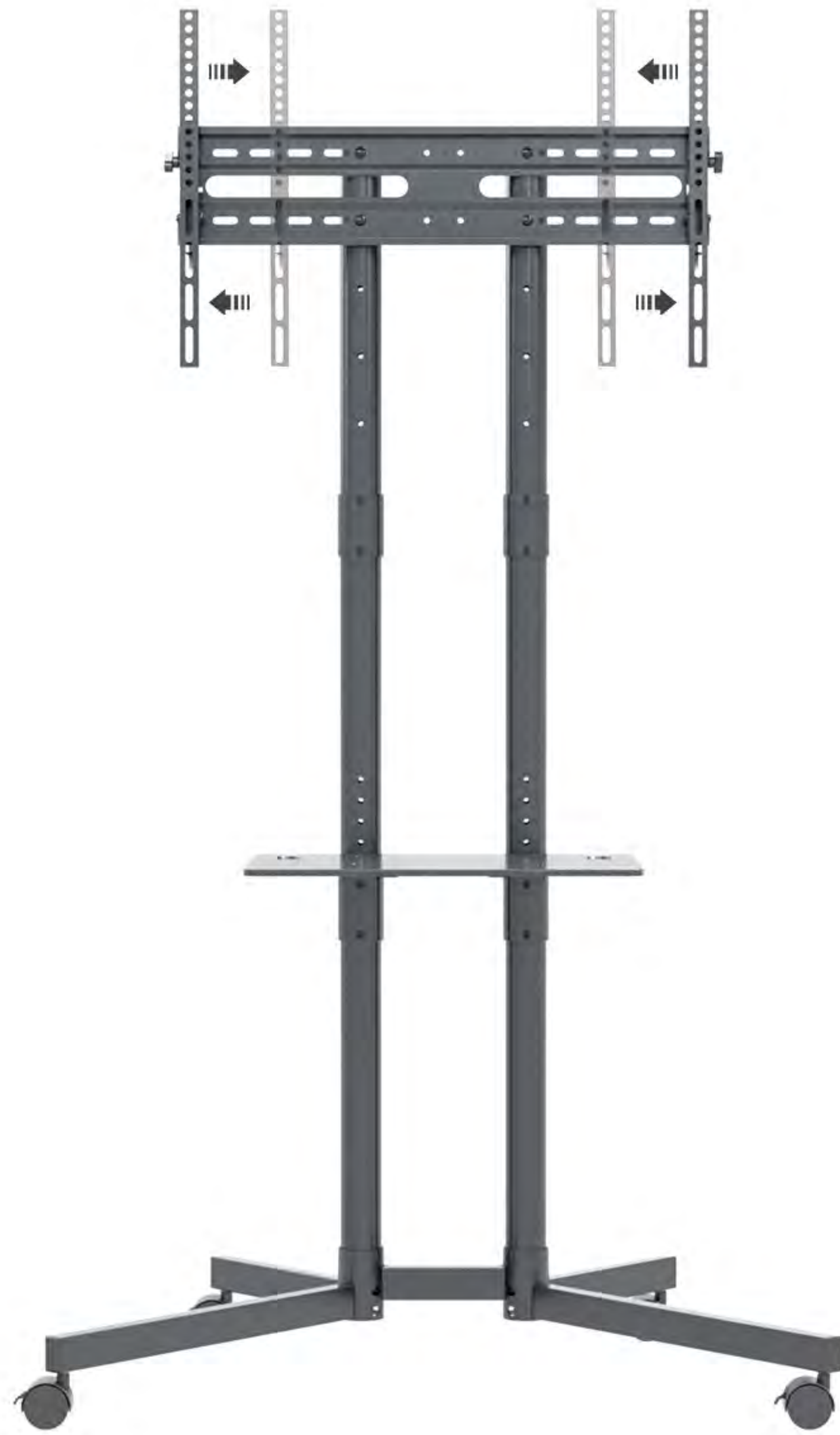
**HH-TT06**

Material:	Cold Rolled Steel
Fit Screen Size:	32"-70"
MAX VESA Compatible:	600x400mm
TV Weight Capacity:	40kg (88lbs)
Tilt Range:	+10°~-10°
Shelf size:	455*290mm
Shelf Weight Capacity:	10kg (22lbs)
Product Height:	1616mm
360-degree steering wheel with brake	





3-section  
telescopic pole



### Adjustable Designs

5kg (11lbs) TV arm has two height could be adjusted





# TV Floor Stand Series

## TV Floor Tripod Stand



HH-TT08

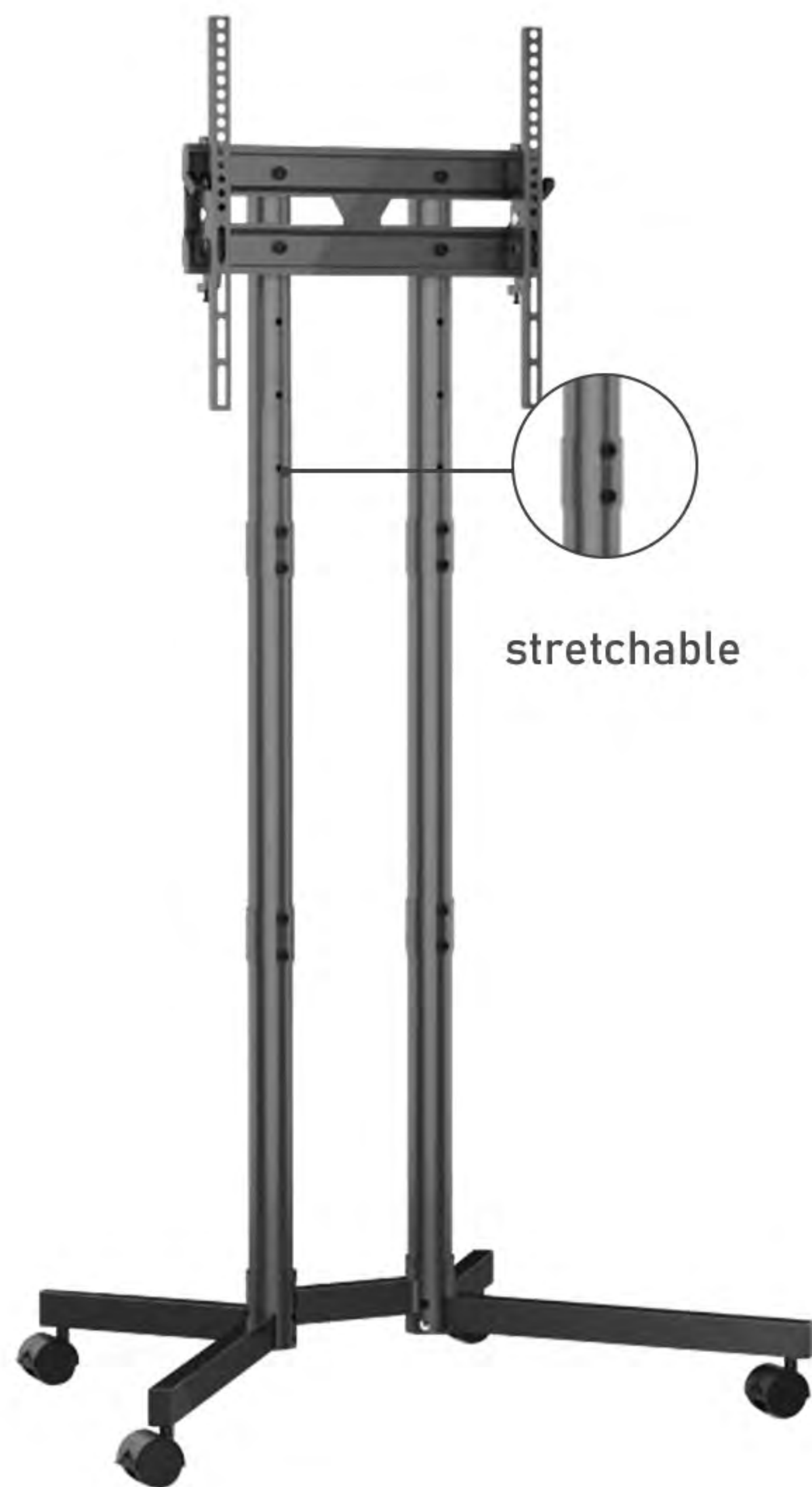
Material:	Cold Rolled Steel
Fit Screen Size:	23"-55"
MAX VESA:	400x400mm
TV Weight Capacity:	40kg (88lbs)
Tilt Range:	+10°~-10°
TV arm has two height could be adjusted	
Product Height:	1313 or 1233 or 1153mm
With four brake function wheels	





### Adjustable Designs

5kg (11lbs) TV arm has two height could be adjusted



3-section telescopic pole



Suitable for 23-55" TVs



# TV Floor Stand Series

## Artistic TV Floor Tripod Stand



**HH-4001B**

Material:	Q235Steel + Plastic + Beech
Dimensions:	975x605x1380mm
TV Bracket:	550x485mm
Minium VESA Size:	200x200mm
Max VESA Size:	400x400mm
Fit Screen Size:	23"-65"
Height Adjustment:	1100-1310mm (Stepless adjustment)
2 Swivel feature design:	+/- 180 ° & +/-20°
TV Tilt Angle:	+3 ° ~ - 5 °
Max Weight Capacity:	35kgs / 77Lbs



**HH-5805B**

Material:	Q235 Steel + SPCC + Plastic + Beech
Dimensions:	750x530x1455mm
TV Bracket:	550x485mm
Minium VESA Size:	100x100mm
Max VESA Size:	600x400mm
Fit Screen Size:	32"-65"
Height Adjustment:	1155-1410mm (Stepless adjustment)
TV Adjustable Swivel:	+/- 70 °
Max Weight Capacity:	32kgs /70lbs
TV Column Dia Size:	φ35mm
* With a space saving steel plate for wifi set-up box stroage	
* Equipmenta Love type DVD/AVTray	





Height Adjustment



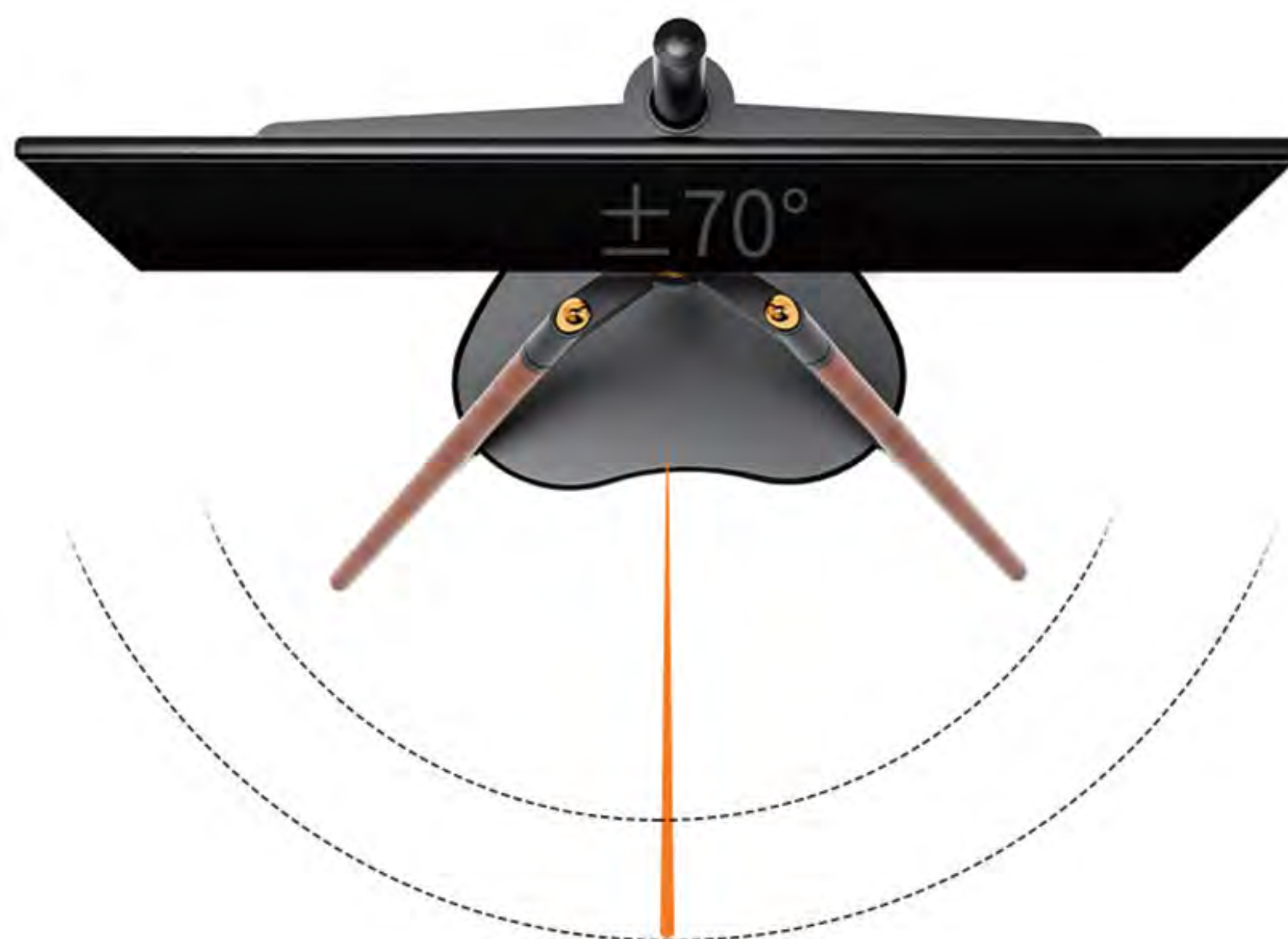
±180° free rotation



Fit Screen Size  
Max Weight Capacity



Height Adjustment



±70° adjustable



Fit Screen Size  
Max Weight Capacity



# TV Floor Stand Series

## Studio TV Floor Stand



**HH-5401B**

### 55"-86" Studio TV Floor Stand with Wooden Leg

Material:	MDF + SPCC + Iron + Plastic
Dimensions:	800x532x1550mm
TV Bracket:	550x485mm
Minium VESA Size:	100x100mm
Max VESA Size:	600x400mm
Fit Screen Size:	55"-86"
Stepless Height Adjustment:	1130-1440mm
Max Weight Capacity:	40kgs / 88Lbs
Dual Iron Pipe Length Size:	743mm
Dual Iron Pipe Dia Size:	φ38mm
Color :	Black

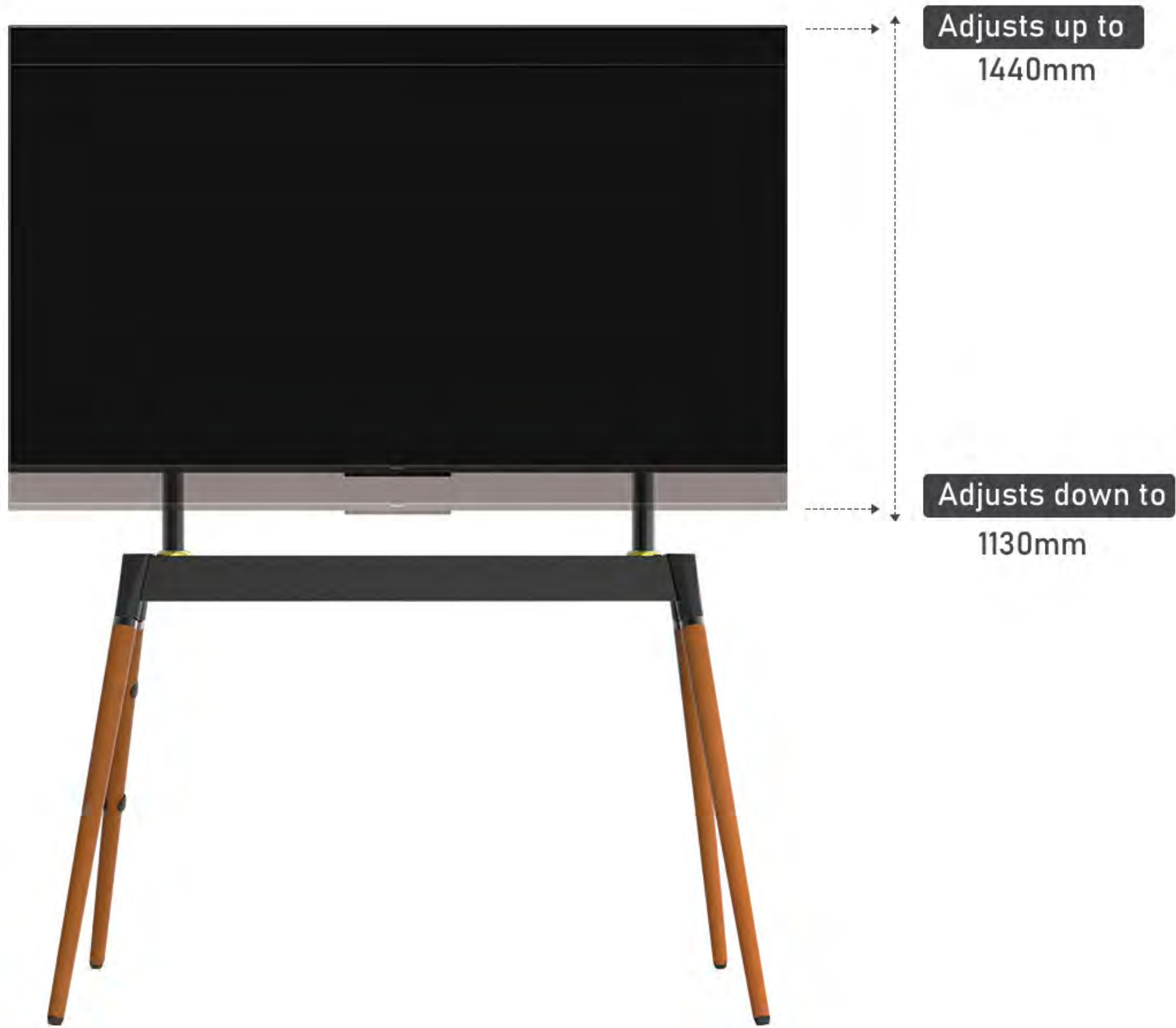


**HH-5402B**

### 55"-86" Studio TV Floor Stand with movable wheels

Material:	MDF + SPCC + Iron + Plastic
Dimensions:	800x532x1550mm
TV Bracket:	550x485mm
Max VESA Size:	600x400mm
Fit Screen Size:	55"-86"
Stepless Height Adjustment:	950-1350mm
Max Weight Capacity:	40kgs / 88Lbs
Dual Iron Pipe Length Size:	776mm
Dual Iron Pipe Dia Size:	φ35mm
Equipped with 4 noiseless and lockable universal wheels	
Color :	Black





Height Adjustment



Fit Screen Size  
Max Weight Capacity



Height Adjustment



Fit Screen Size  
Max Weight Capacity