



Global Traders: Operators of the Unconventional Inventory Liquidation Marketplace FreeWorldImports.com

---

# **FREEWORLD FEATURED & SPECIAL DEALS COMMODITIES | EQUIPMENT | PRODUCTS**

## **HIGHLY DISCOUNTED 10L OXYGEN CYLINDERS**

---

309 Fellowship Road | East Gate Center | Suite 200 | Mt. Laurel | NJ 08054


**Web-Presence:** <http://freeworldbrand.com> | **Liquidation Marketplace:** <https://freeworldimports.com>

Commodities Webstore: <https://commodities.freeworldbrand.com/>

**Phone/Fax:** 609-256-9162 | **Email:** bizdev@freeworldbrand.com

## TRANSACTION / DEAL STRUCTURE

- **PRODUCT** : 10L OXYGEN CYLINDERS
- **PACKAGING** : See below
- **QUANTITY AVAILABLE** : 5,000 Units
- **FWB DISCOUNTED PRICE PER UNIT** : [Please Contact Us](#)
- **MINIMUM ORDER QUANTITY** : [5,000 Units](#) | One Lot | One Deal

Item	Photo	Water Capacity (L)	High Total (mm)	Bottle diameter (mm)	test pressure (Psi)	work pressure (Psi)	Material	Wall Thickness (mm)	Ambient Temperature	Standard	Valve	Weight (KG)	Total Weight
Oxygen Gas Cylinder		10	780	152	200	150	37Mn	3.4	-40-60°C	ISO	QF-6A	11.6	5730

**COMPLETE WITH SURFACING PAINTING | BRANDING COLORS**

Interested parties are encouraged to contact us via email: [bizdev@freeworldbrand.com](mailto:bizdev@freeworldbrand.com)

**NOTE: Principals Only.**

**PRODUCT RELATED IMAGES AND OTHER INFORMATION APPEAR ON THE FOLLOWING PAGES**



**Global Traders:** Operators of the Unconventional Inventory Liquidation Marketplace [FreeWorldImports.com](https://freeworldimports.com)

---



---

309 Fellowship Road | East Gate Center | Suite 200 | Mt. Laurel | NJ 08054

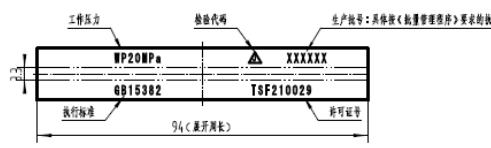
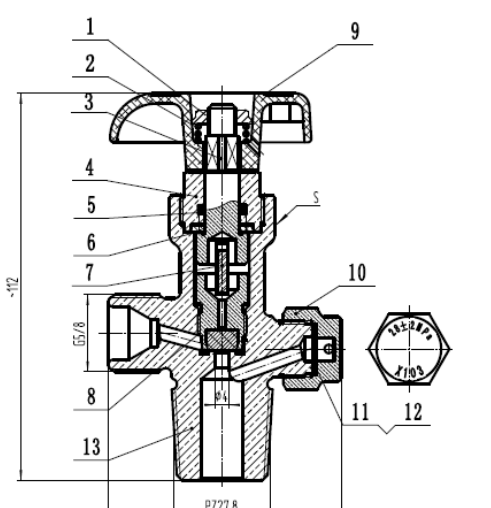
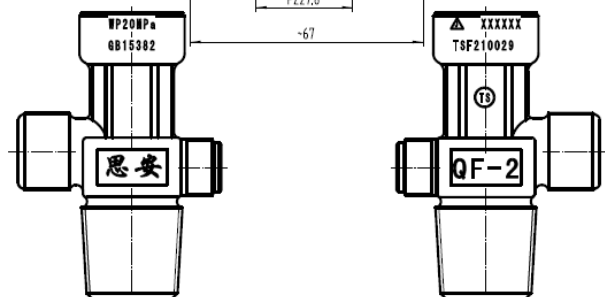
**Web-Presence:** <http://freeworldbrand.com> | **Liquidation Marketplace:** <https://freeworldimports.com>

Commodities Webstore: <https://commodities.freeworldbrand.com/>

**Phone/Fax:** 609-256-9162 | **Email:** [bizdev@freeworldbrand.com](mailto:bizdev@freeworldbrand.com)



S类阀前盖压字钢(共标3号)

### 技术要求


1. 本气瓶阀适用于氧气、空气、氮气等气瓶上作充、放气体的启闭装置，公称工作压力20MPa，公称通径为Ø4mm；
2. 手轮逆时针方向旋转为开启，开启范围应大于1/4通径；
3. 装配好的气瓶阀应能保证活门启闭的灵活性和平稳性；
4. 在24MPa和0.05MPa气压下，阀门处于关闭和任意开启状态，1分钟内应均无泄漏，具体要求按GB15382-2009《气瓶阀通用技术要求》标准中规定执行；
5. 安全爆破片爆破压力范围为26~30MPa；

★ 6. 气瓶阀装配前，零件须进行脱脂处理，零件在装配、试验、验收时应注意清洁，严禁沾染油污；

7. 本阀工作温度为-40℃~+60℃；
8. 阀体在室温环境下，用69MPa水压，保压5分钟无裂纹变形。

★ 注：严禁油脂。

序号	代号	名称及规格	材料	数量	备注
13	08-853-030	阀体	HPb59-1	1	抛丸、清洗
12	99-021-022	爆破片	S304带(厚度0.05mm半硬态)	1	
11	99-004-032	平垫圈0.5×8.3×14.2	T3	1	
10	99-022-103	安全帽	HPb59-1	1	
9	99-017-089A	手轮	ZL102	1	兰色(OPEN)
8	98-001-181	活门组件		1	
7	99-085-002	开关板	0Cr18Ni9	1	
6	99-003-139	密封平垫	聚四氟乙烯	1	
5	99-031-214	O形圈 9.6×2.4	阻燃橡胶	1	
4	99-041-041	压帽	CuZn40Pb2(59)	1	
3	99-001-194	阀杆	CuZn40Pb2(59)	1	
2	99-008-157	弹簧	丝Ø1.3-碳素钢丝	1	
1	99-034-064	螺母	Q235	1	

序号		代号	名称及规格	材料	数量	备注
				QF-2活瓣式氧气瓶阀		08-853-736B
<b>总成</b>						
设计	吴刚	17-11-11	工艺			 宁波富华阀门有限公司
校对			标准化			
审核						
审定			批准			



Global Traders: Operators of the Unconventional Inventory Liquidation Marketplace FreeWorldImports.com

# OTHER FREEWORLD INVENTORY LIQUIDATION SERVICES OFFERINGS

*Please click on the image or the associated hyperlink to learn more*



**[FWB – SPECIAL DEALS COMMODITIES WEBSTORE](#)**

309 Fellowship Road | East Gate Center | Suite 200 | Mt. Laurel | NJ 08054

Web-Presence: <http://freeworldbrand.com> | Liquidation Marketplace: <https://freeworldimports.com>

Commodities Webstore: <https://commodities.freeworldbrand.com/>

Phone/Fax: 609-256-9162 | Email: [bizdev@freeworldbrand.com](mailto:bizdev@freeworldbrand.com)



Global Traders: Operators of the Unconventional Inventory Liquidation Marketplace FreeWorldImports.com

*Please click on the image or the associated hyperlink to learn more*

The graphic features the words "SOURCE" in white and "HERE" in orange on a dark blue background with a pattern of small white dots. Below the text is a white semi-circle containing a magnifying glass with the word "search" written on its handle. To the right of the magnifying glass is a white feather with orange and yellow accents. In the bottom left corner of the graphic is a dark blue box with the text "freeworldimports.com" in white. In the bottom right corner is the "FREE WORLD IMPORTS" logo, which includes a globe icon and the text "FREE WORLD IMPORTS" in blue, with "A Liquidation Marketplace" in smaller text below it.

**[SOURCE YOUR PRODUCTS HERE | DELIVERED DUTY PAID \(DDP\)](#)**

309 Fellowship Road | East Gate Center | Suite 200 | Mt. Laurel | NJ 08054

Web-Presence: <http://freeworldbrand.com> | Liquidation Marketplace: <https://freeworldimports.com>

Commodities Webstore: <https://commodities.freeworldbrand.com/>

Phone/Fax: 609-256-9162 | Email: [bizdev@freeworldbrand.com](mailto:bizdev@freeworldbrand.com)



Global Traders: Operators of the Unconventional Inventory Liquidation Marketplace FreeWorldImports.com

---

*Please click on the image or the associated hyperlink to learn more*

---



## **DEPARTMENT STORES MIXED BUNDLES FOR BIG SAVINGS**

---

309 Fellowship Road | East Gate Center | Suite 200 | Mt. Laurel | NJ 08054

Web-Presence: <http://freeworldbrand.com> | Liquidation Marketplace: <https://freeworldimports.com>

Commodities Webstore: <https://commodities.freeworldbrand.com/>

Phone/Fax: 609-256-9162 | Email: [bizdev@freeworldbrand.com](mailto:bizdev@freeworldbrand.com)





Global Traders: Operators of the Unconventional Inventory Liquidation Marketplace [FreeWorldImports.com](https://freeworldimports.com)

---

*Please click on the image or the associated hyperlink to learn more*

---



**[FWI FEATURED SUPPLIERS](#)**

---

309 Fellowship Road | East Gate Center | Suite 200 | Mt. Laurel | NJ 08054

Web-Presence: <http://freeworldbrand.com> | Liquidation Marketplace: <https://freeworldimports.com>

Commodities Webstore: <https://commodities.freeworldbrand.com/>

Phone/Fax: 609-256-9162 | Email: [bizdev@freeworldbrand.com](mailto:bizdev@freeworldbrand.com)



Global Traders: Operators of the Unconventional Inventory Liquidation Marketplace [FreeWorldImports.com](https://freeworldimports.com)

---

*Please click on the image or the associated hyperlink to learn more*

---



**[24 X 7 X 365 NON-AUCTION DEALS](#)**

---

309 Fellowship Road | East Gate Center | Suite 200 | Mt. Laurel | NJ 08054

Web-Presence: <http://freeworldbrand.com> | Liquidation Marketplace: <https://freeworldimports.com>

Commodities Webstore: <https://commodities.freeworldbrand.com/>

Phone/Fax: 609-256-9162 | Email: [bizdev@freeworldbrand.com](mailto:bizdev@freeworldbrand.com)



Global Traders: Operators of the Unconventional Inventory Liquidation Marketplace FreeWorldImports.com

*Please click on the image or the associated hyperlink to learn more*

### FWI LIQUIDATION MARKETPLACE AFFILIATE PROGRAM

Become an **ONLINE INVENTORY LIQUIDATOR** using the FWI link based model which enable you to create links to any product within the FWI Marketplace. You have the ability to share these links with potential customers via email, social media and other digital mediums. You will **earn between two to five percent (2% - 5%) commission on the sales of products** which are sold based on your efforts. These links contains identifiers that will ensure that you receive compensation when a purchase is made on a linked item containing your identifier. There are no charges associated with this groundbreaking business opportunity, your participation will not cost you a dime, it is completely free of charge.

**Online  
Inventory  
Liquidation  
Marketplace**



**Buying  
Platform**

<https://www.freeworldimports.com/>

📞 609-318-0570

✉ [bizdev@freeworldimports.com](mailto:bizdev@freeworldimports.com)



**ONLINE INVENTORY LIQUIDATOR REGISTRATION**

## **[FWI AFFILIATE PROGRAM](#)**

309 Fellowship Road | East Gate Center | Suite 200 | Mt. Laurel | NJ 08054

Web-Presence: <http://freeworldbrand.com> | Liquidation Marketplace: <https://freeworldimports.com>

Commodities Webstore: <https://commodities.freeworldbrand.com/>

Phone/Fax: 609-256-9162 | Email: [bizdev@freeworldbrand.com](mailto:bizdev@freeworldbrand.com)



Global Traders: Operators of the Unconventional Inventory Liquidation Marketplace [FreeWorldImports.com](http://FreeWorldImports.com)

---

*Please click on the image or the associated hyperlink to learn more*

---



FEATURE YOUR COMPANY AND YOUR PRODUCTS WITHIN THE UNCONVENTIONAL INVENTORY LIQUIDATION MARKETPLACE

[www.freeworldimports.com](http://www.freeworldimports.com)



**JOIN US**

AS A FREEWORLDIMPORTS SUPPLIER

The central graphic is a white rectangular box with a blue border. It contains the Freeworld Imports logo in the top right corner. The main text reads "FEATURE YOUR COMPANY AND YOUR PRODUCTS WITHIN THE UNCONVENTIONAL INVENTORY LIQUIDATION MARKETPLACE" followed by the website "www.freeworldimports.com". Below this is a large blue graphic of the words "JOIN US" in a bold, sans-serif font. Two black silhouettes of business figures in suits are shaking hands on top of the letters "O" and "U".

## **[FWI SUPPLIER ENGAGEMENT](#)**

---

309 Fellowship Road | East Gate Center | Suite 200 | Mt. Laurel | NJ 08054

Web-Presence: <http://freeworldbrand.com> | Liquidation Marketplace: <https://freeworldimports.com>

Commodities Webstore: <https://commodities.freeworldbrand.com/>

Phone/Fax: 609-256-9162 | Email: [bizdev@freeworldbrand.com](mailto:bizdev@freeworldbrand.com)

*Please click on the image or the associated hyperlink to learn more*

---



DELIVERING VALUE TO CALL CENTERS AND BEYOND INTEGRATED  
**VIRTUAL POINT OF SALE SOLUTION**



[www.sasapplication.com/webapplication](http://www.sasapplication.com/webapplication)

**CLOUD BASED SOLUTIONS FOR FORWARD LOOKING  
ORGANIZATIONS**

*Please click on the image or the associated hyperlink to learn more*

---



## **PINK LABELED WOMEN'S URBAN APPAREL**



Global Traders: Operators of the Unconventional Inventory Liquidation Marketplace FreeWorldImports.com

---

# **FOR MORE INFORMATION**

## **FREEWORLD LIQUIDATION SERVICES**

*A Service of FreeWorld Brand, LLC*



**Phone:** +1-609-256-9162

**Email:** [bizdev@freeworldimports.com](mailto:bizdev@freeworldimports.com)  
[bizdev@freeworldbrand.com](mailto:bizdev@freeworldbrand.com)

---

309 Fellowship Road | East Gate Center | Suite 200 | Mt. Laurel | NJ 08054

**Web-Presence:** <http://freeworldbrand.com> | **Liquidation Marketplace:** <https://freeworldimports.com>

Commodities Webstore: <https://commodities.freeworldbrand.com/>

**Phone/Fax:** 609-256-9162 | **Email:** [bizdev@freeworldbrand.com](mailto:bizdev@freeworldbrand.com)